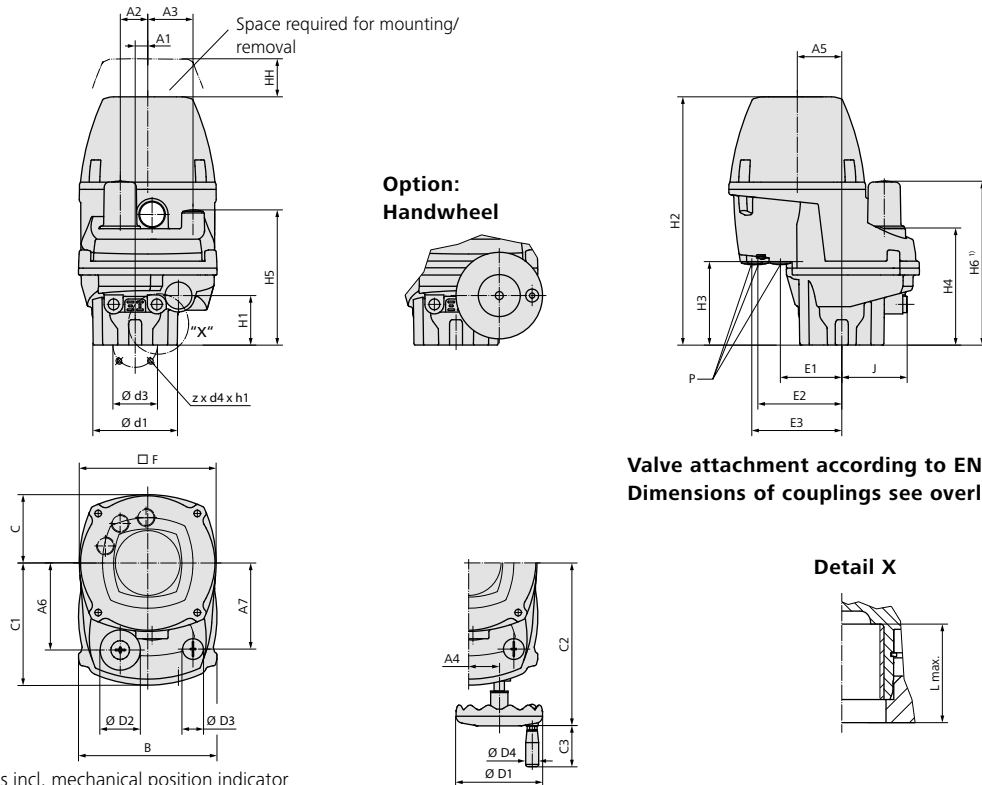


Dimensions Part-turn actuators with integral controls



Valve attachment according to EN ISO 5211
Dimensions of couplings see overleaf

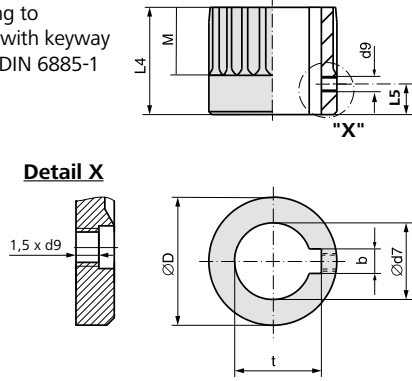
- 1) Option: Dimensions incl. mechanical position indicator
- 2) For coupling with square bore, bore with two flats

Dimensions	Q80			Q150			Q300		Q600		
	EN ISO 5211	F05	F07	F10	F05	F07	F10	F07	F10	F07	F10
A1		14.5			14.5			14.5			14.5
A2		32			32			32			32
A3		52			52			52			52
A4		35.5			35.5			48			48
A5		51.5			51.5			51.5			51.5
A6		101			101			101			101
A7		99			99			99			99
B		160			160			160			160
C		79			79			79			79
C1		141			141			141			141
C2		188			188			198			198
C3		47			47			60			60
Ø D1		100			100			160			160
Ø D2		47			47			47			47
Ø D3		24			24			24			24
Ø D4		15			15			20			20
E1		71			71			71			71
E2		97			97			97			97
E3		104			104			104			104
□ F		158			158			158			158
H1		57			57			88			88
H2		287			287			323			323
H3		97			97			133			133
H4		135			135			171			171
H5		156			156			192			192
H6 ¹⁾		189			189			225			225
HH min.		100			100			100			100
J		76			76			88			88
L max.		38 ²⁾ /40			38 ²⁾ /40			50			50
P		3 x M20 x 1,5				3 x M20 x 1,5				3 x M20 x 1,5	
Ø d1		122				122				122	
Ø d3		50	70	102	50	70	102	70	102	70	102
d4		M6	M8	M10	M6	M8	M10	M8	M10	M8	M10
h1		12	15	18	12	15	18	15	18	15	18
Z		4				4				4	

We reserve the right to alter data according to improvements made. Previous documents become invalid with the issue of this document.

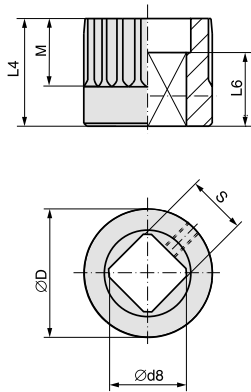
Dimensions Couplings according to EN ISO 5211, DIN 6885

Bore according to EN ISO 5211 with keyway according to DIN 6885-1



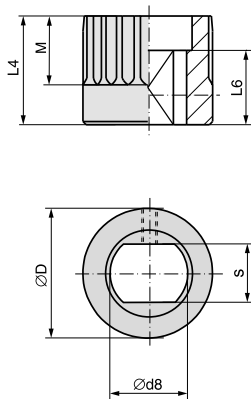
Dimensions	Q80			Q150			Q300		Q600	
	F05	F07	F10	F05	F07	F10	F07	F10	F07	F10
EN ISO 5211	F05	F07	F10	F05	F07	F10	F07	F10	F07	F10
Ø D	31.75			31.75			51.75		51.75	
b JS9 ¹⁾	According to DIN 6885-1									
Ø d7 max.	20			20			38		38	
d9 ²⁾	M4			M4			M6		M6	
L4	35			35			45		45	
L5 ²⁾	8			8			10		10	
M	20			20			30		30	
t ¹⁾	According to DIN 6885-1									

Square bore according to EN ISO 5211



Dimensions	Q80			Q150			Q300		Q600	
	F05	F07	F10	F05	F07	F10	F07	F10	F07	F10
EN ISO 5211	F05	F07	F10	F05	F07	F10	F07	F10	F07	F10
Ø D	31.75			31.75			51.75		51.75	
Ø d8 max.	22.2			22.2			40.2 ³⁾		40.2 ³⁾	
L4	35			35			45		45	
L6 min.	30			30			30		30	
M	20			20			30		30	
s H11 max.	17			17			30 ³⁾		30 ³⁾	

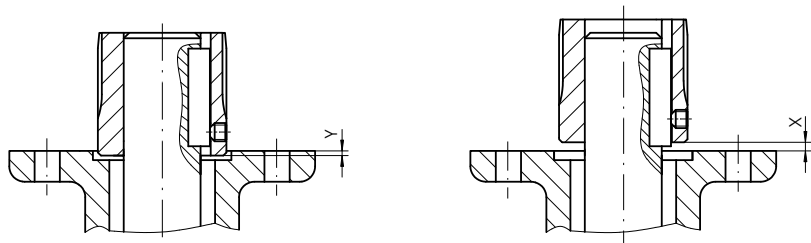
Two-flat according to EN ISO 5211



Dimensions	Q80			Q150			Q300		Q600	
	F05	F07	F10	F05	F07	F10	F07	F10	F07	F10
EN ISO 5211	F05	F07	F10	F05	F07	F10	F07	F10	F07	F10
Ø D	31.75			31.75			51.75		51.75	
Ø d8 max.	22.2			22.2			36.2		36.2	
L4	35			35			45		45	
L6 min.	25			25			25		25	
M	20			20			30		30	
s H11 max.	17			17			27		27	

Mounting position of the coupling within fitting dimensions according to AUMA definition

X max.	3						4.5			
Y max.	2						4.5			



1) Dimensions depend on Ø d7, refer to DIN 6885-1
 2) Thread with grub screw
 3) According to DIN 79