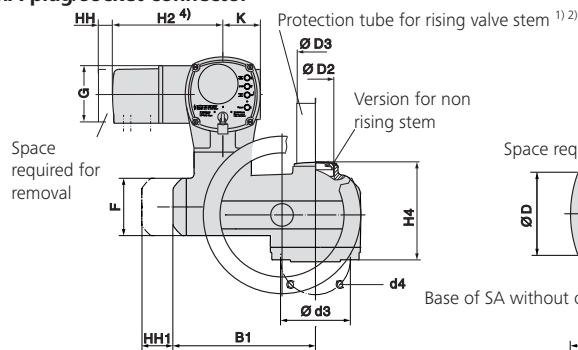
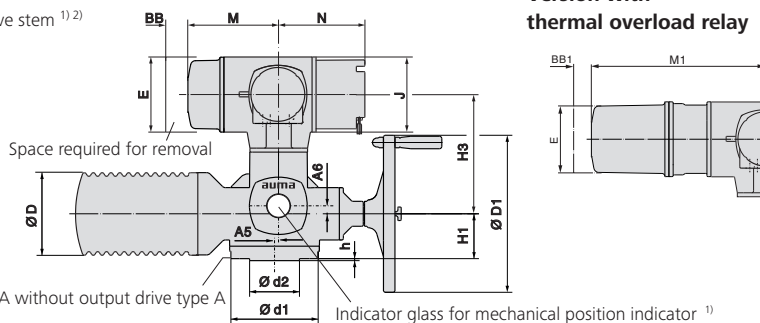


Dimensions Multi-turn actuators with 3-phase AC motor and AC integral controls (also for HART)

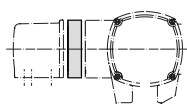
with AUMA plug/socket connector



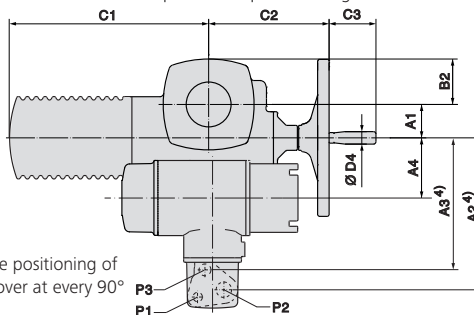
Version with thermal overload relay



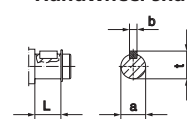
Valve attachments according to EN ISO 5210, DIN 3210, DIN 3338
For dimensions see overleaf



Version⁴⁾: double sealed



Handwheel shaft



- 1) Only upon specific order
- 2) In steps of 100 mm length each
- 3) Standard, other threads on request
- 4) Option: Enclosure protection IPxx-DS, cover for electrical connection with additional frame

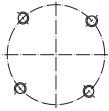
Dimensions	SA 07.2/AC 01.2		SA 07.6/AC 01.2		SA 10.2/AC 01.2	SA 14.2/AC 01.2	SA 14.6/AC 01.2	SA 16.2/AC 01.2
	SAR 07.2/AC 01.2	SAR 07.6/AC 01.2	SAR 07.6/AC 01.2	SAR 10.2/AC 01.2	SAR 10.2/AC 01.2	SAR 14.2/AC 01.2	SAR 14.6/AC 01.2	SAR 16.2/AC 01.2
EN ISO 5210 (DIN3210)	F07	F10 (G0)	F07	F10 (G0)	F10 (G0)	F14 (G1/2)	F14 (G1/2)	F16 (G3)
A1	40	40	40	40	50	67	67	80
A2 ⁴⁾	287 (314 ⁴⁾)	287 (314 ⁴⁾)	287 (314 ⁴⁾)	287 (314 ⁴⁾)	287 (314 ⁴⁾)	303 (330 ⁴⁾)	303 (330 ⁴⁾)	303 (330 ⁴⁾)
A3 ⁴⁾	247 (274 ⁴⁾)	247 (274 ⁴⁾)	247 (274 ⁴⁾)	247 (274 ⁴⁾)	247 (274 ⁴⁾)	263 (290 ⁴⁾)	263 (290 ⁴⁾)	263 (290 ⁴⁾)
A4	103	103	103	103	103	119	119	123.5
A5	–	–	–	–	–	8	8	15
A6	–	–	–	–	–	16	16	20
B1	238	238	238	238	248	286	286	303
B2	62	62	62	62	65	91	91	117
C1	265	265	265	265	283	389	389	430
C2	186	186	186	186	191	242	245	271
C3	63	63	63	63	63	94	94	94
Ø D	101	101	101	101	121	153	153	190
Ø D1	160	160	160	160	200	315	400	500
Ø D2	G 1¼"	G 1¼"	G 1¼"	G 1¼"	G 2"	G 2½"	G 2½"	G 3"
Ø D3	42 x 3.3	42 x 3.3	42 x 3.3	42 x 3.3	60 x 3.7	76 x 3.7	76 x 3.7	89 x 4.1
Ø D4	20	20	20	20	20	25	25	25
E	150	150	150	150	150	150	150	150
F	115	115	115	115	115	115	115	115
G	115	115	115	115	115	115	115	115
H1	78	78	78	78	80	90	90	110
H2 ⁴⁾	220 (247 ⁴⁾)	220 (247 ⁴⁾)	220 (247 ⁴⁾)	220 (247 ⁴⁾)	220 (247 ⁴⁾)	220 (247 ⁴⁾)	220 (247 ⁴⁾)	220 (247 ⁴⁾)
H3	225	225	225	225	225	241	241	245
H4	160	160	160	160	170	196	196	235
J	150	150	150	150	150	150	150	150
K	75	75	75	75	75	75	75	75
L	20	20	20	20	24	38.8	45.8	45.8
M max.	265	265	265	265	265	265	265	265
M1	349	349	349	349	349	349	349	349
N	173	173	173	173	173	173	173	173
P1 ³⁾	M20 x 1.5	M20 x 1.5	M20 x 1.5	M20 x 1.5	M20 x 1.5	M20 x 1.5	M20 x 1.5	M20 x 1.5
P2 ³⁾	M32 x 1.5	M32 x 1.5	M32 x 1.5	M32 x 1.5	M32 x 1.5	M32 x 1.5	M32 x 1.5	M32 x 1.5
P3 ³⁾	M25 x 1.5	M25 x 1.5	M25 x 1.5	M25 x 1.5	M25 x 1.5	M25 x 1.5	M25 x 1.5	M25 x 1.5
BB min.	70	70	70	70	70	70	70	70
BB1 min.	90	90	90	90	90	90	90	90
HH min.	30	30	30	30	30	30	30	30
HH1 min.	180	180	180	180	180	180	180	180
Ø a	20 d7	20 d7	20 d7	20 d7	20 d7	30 d7	30 d7	30 d7
b	6	6	6	6	6	8	8	8
Ø d1	90	125	90	125	125	175	175	210
Ø d2	55	70 (60)	55	70 (60)	70 (60)	100	100	130
Ø d3	70	102	70	102	102	140	140	165
d4	4 x M8	4 x M10	4 x M8	4 x M10	4 x M10	4 x M16	4 x M16	4 x M20
h	3	3	3	3	3	4	4	5
t	22.5	22.5	22.5	22.5	22.5	33	33	33

We reserve the right to alter data according to improvements made. Previous documents become invalid with the issue of this document.

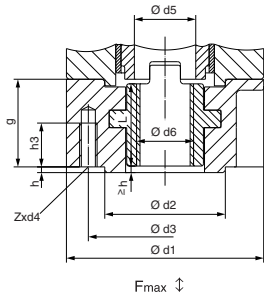
Dimensions Valve attachments according to EN ISO 5210, DIN 3338, DIN 3210

Stem nut

Type
EN ISO 5210 **A**
DIN 3210 **A**



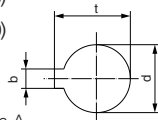
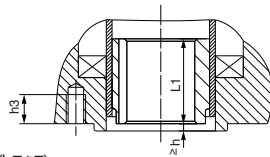
Arrangement of holes d4



Dimensions		SA 07.2/SA 07.6			SA 10.2		SA 14.2/SA 14.6		SA 16.2	
EN ISO 5210	DIN 3210	F07	F10	G0	F10	G0	F14	G1/2	F16	G3
F max. kN		40	40	40	70	70	160		250	
Ø d1		90	125	125	125	125	175		210	
Ø d2		55	70	60	70	60	100		130	
Ø d3		70	102	102	102	102	140		165	
d4		M8	M10	M10	M10	M10	M16		M20	
Ø d5		35	36	36	44	44	62		80	
Ø d6 max. 5)		26	34	34	40	40	57		75	
g		40	50	50	50	50	65		80	
h		3	3	3	3	3	4		5	
h3		12	15	15	15	15	25		35	
L		37	47	47	47	47	60		75	
Z		4	4	4	4	4	4		4	
Gewicht kg		1.1	2.8	2.8	2.8	2.8	6.8		11.7	

Output drive sleeve³⁾

Type
EN ISO 5210 **B 1 = Ø d7 (b7/t7)**
DIN 3210 **B = Ø d7 (b7/t7)**
EN ISO 5210 **B 2 < Ø d7 > Ø dy**
EN ISO 5210 **B 3 = Ø d10 (b10/t10)**
DIN 3210 **E = Ø d10 (b10/t10)**
EN ISO 5210 **B 4 ≤ Ø dy**

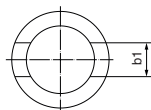
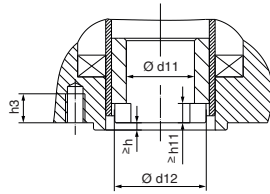


For missing dimensions, refer to type A

Dimensions		SA 07.2/SA 07.6			SA 10.2		SA 14.2/SA 14.6		SA 16.2	
EN ISO 5210	DIN 3210	F07	F10	G0	F10	G0	F14	G1/2	F16	G3
Ø d7 H9		28	42	42	42	42	60		80	
b7 JS9		8	12	12	12	12	18		22	
t7		31.3	45.3	45.3	45.3	45.3	64.4		85.4	
Ø d10 H9		16	20	20	20	20	30		40	
b10 JS9		5	6	6	6	6	8		12	
t10		18.3	22.8	22.8	22.8	22.8	33.3		43.3	
Ø dy H9 ¹⁾		25	35	35	35	35	45		60	
h3		12	13	13	15	15	25		30	
L1		35	45	45	45	45	65		80	

Dog coupling³⁾

Type
DIN 3338 **C = Ø d11**

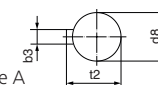
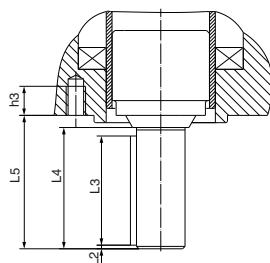


For missing dimensions, refer to type A

Dimensions		SA 07.2/SA 07.6			SA 10.2		SA 14.2/SA 14.6		SA 16.2	
EN ISO 5210	DIN 3210	F07	F10	G0	F10	G0	F14	G1/2	F16	G3
b1 H11		14 ⁴⁾	14	14	14	14	20		24	
Ø d11 H11		28 ⁴⁾	28	28	28	28	38		47	
Ø d11 min.		–	20	20	20	20	30		40	
Ø d11 max. ²⁾		–	42	42	42	42	60		80	
Ø d12		36.8	51.8	51.8	51.8	51.8	73.8		98	
h3		12	13	13	15	15	25		30	
h11		7 ⁴⁾	7	7	7	7	8		10	

Shaft end

Type
DIN 3210 **D**



For missing dimensions, refer to type A

Dimensions		SA 07.2/SA 07.6			SA 10.2		SA 14.2/SA 14.6		SA 16.2	
EN ISO 5210	DIN 3210	F07	F10	G0	F10	G0	F14	G1/2	F16	G3
Ø d8 g6		20	20	20	20	20	30	30	40	40
b3 h9		6	6	6	6	6	8	8	12	12
h3		12	13	13	15	15	25	25	30	30
L2		1.5	1.5	1.5	1.5	1.5	2	2	3	3
L3		45	45	45	45	45	63	63	80	80
L4		50	50	50	50	50	70	70	90	90
L5		55	55	55	55	55	76	76	97	97
t2		22.5	22.5	22.5	22.5	22.5	33	33	43	43
Gewicht kg		0.4	0.4	0.4	0.7	0.7	2	2	4.3	4.3

1) Dimensions b, t depend on Ø d10/Ø dy, refer to DIN 6885-1

2) For rising valve stem Ø d11 max.= Ø d5 of type A

3) Weight included in actuator

4) Dimensions not complying with DIN 3338

5) Max. bore diameter in mm

We reserve the right to alter data according to improvements made. Previous documents become invalid with the issue of this document.