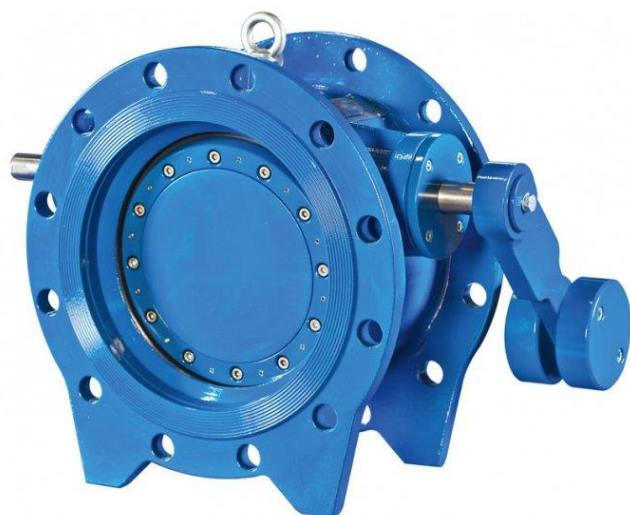


Non return valve type 4010 and 4010HD



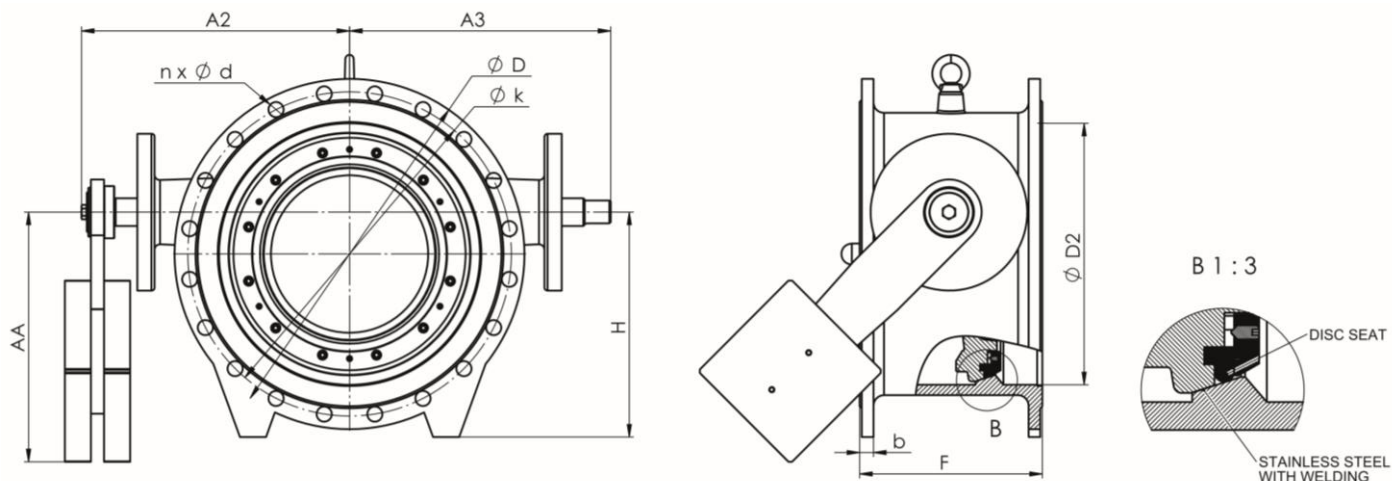
Introduction

Type 4010 is a double flanged and double eccentric valve used as a check valve that permits medium flow in only one direction and prevents the flow from reversing. The flow opens the valve in the desired direction, while back flow forces the valve to close. Full tightness is ensured by an elastomer-to-metal design. The valve is equipped with a disc position indicator. The operation is by means of a lever counter weight.

Properties

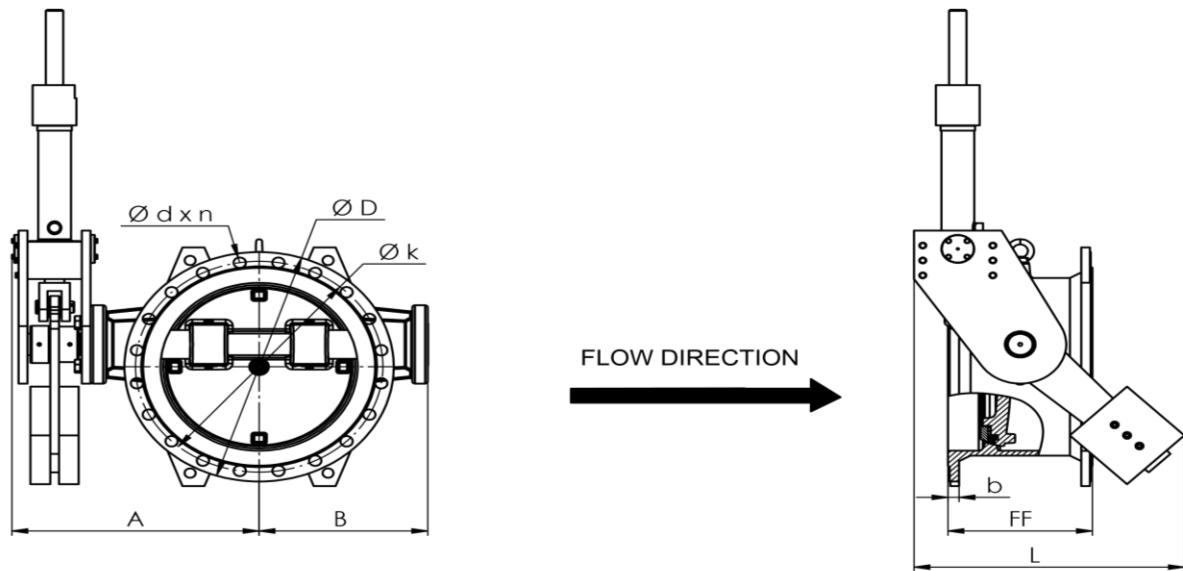
Type	4010 & 4010HD
Body	GGG40-50 ductile iron
Disc	GGG40-50 ductile iron
Shaft	Stainless steel 1.4021
Retaining ring	ST37 carbon steel
Internal bolts	Stainless steel 1.4301
External bolts	8.8 Electro galvanized
Bearing	Bronze
Body seat	Stainless steel welded overlay finish, micro finished
Disc seat	EPDM
Face to Face	EN 558 1/14 (F4)
Range	DN100 – DN2000
Flange connection	PN10 – 16 – 25 – 40
Flange standard	EN 1092-2
Test standard	EN 12266-1
Body test pressure	PNX1,5 bar
Disc test pressure	PNX1,1 bar
Body & Disc coating	Electrostatic epoxy coated (250 microns) RAL5010 till DN1100 from DN1200 liquid epoxy coating
Operation	Counterweight (and hydraulic damper with two speed dash pot)
Certificate	EN 10204 3.1 with each delivered valve
Marking	CE

**** Other component materials and coatings upon request**



Type 4010 - with lever and weight

ØDN	PN10						PN16						Body					Weight (kg)
	b	ØD	ØD2	Ød	Øk	n	b	ØD	ØD2	Ød	Øk	n	AA	A2	A3	F	H	
100	19	220	115	19	180	8	19	220	115	19	180	8	150	191	176	190	134	30
125	19	250	135	19	210	8	19	250	135	19	210	8	173	197	187	200	158	35
150	19	285	170	22	240	8	19	285	170	22	240	8	190	200	203	210	158	37
200	20	361	200	23	295	8	20	361	200	23	295	12	230	230	220	230	190	56
250	22	395	250	23	350	12	22	405	250	28	355	12	230	290	302	250	220	82
300	24,5	445	300	22	400	12	24,5	460	300	28	410	12	330	340	314	270	250	92
350	24,5	505	350	23	460	16	26,5	505	350	28	470	16	350	370	345	290	280	122
400	24,5	565	400	26	515	16	28	580	400	30	525	16	350	430	374	310	302	160
450	25,5	615	450	26	565	20	30	640	450	30	585	20	450	450	422	330	330	276
500	26,5	670	500	26	620	20	31,5	715	500	33	650	20	395	515	456	350	380	345
600	30	780	600	30	725	20	36	840	600	36	770	20	395	590	549	390	458	500
700	32,5	895	700	30	840	24	39,5	910	700	36	840	24	570	660	579	430	460	635
800	35	1015	800	33	950	24	43	1025	800	40	950	24	590	715	685	470	525	1020
900	37,5	1115	900	33	1050	28	46,5	1125	900	39	1050	28	615	750	723	510	570	1170
1000	40	1230	1000	36	1160	28	50	1255	1000	42	1170	28	1000	825	793	550	650	1410
1200	45	1455	1200	40	1380	32	57	1485	1200	49	1390	32	1030	1025	1010	630	1044	2100
1400	46	1675	1400	43	1590	36	60	1685	1400	49	1590	36	1080	1180	1160	710	1220	2900
1600	49	1915	1600	49	1820	40	65	1930	1600	56	1820	40	1110	1310	1300	790	1280	3700
2000	55	2325	2000	49	2230	48	75	2345	2000	62	2230	48	1176	1610	1600	950	1586	4500



Type 4010HD - with lever and weight and adjustable hydraulic damper

ØDN	PN10					PN16					Body			
	b	ØD	Ød	Øk	n	b	ØD	Ød	Øk	n	A	B	L	F
100	19	220	19	180	8	19	220	19	180	8	-	-	-	190
125	19	250	19	210	8	19	250	19	210	8	-	-	-	200
150	19	285	22	240	8	19	285	22	240	8	340	173	364	210
200	20	361	23	295	8	20	361	23	295	12	345	184	525	230
250	22	395	23	350	12	22	405	28	355	12	426	268	544	250
300	24,5	445	22	400	12	24,5	460	28	410	12	445	283	564	270
350	24,5	505	23	460	16	26,5	505	28	470	16	457	300	619	290
400	24,5	565	26	515	16	28	580	30	525	16	480	315	608	310
450	25,5	615	26	565	20	30	640	30	585	20	556	387	618	330
500	26,5	670	26	620	20	31,5	715	33	650	20	598	406	731	350
600	30	780	30	725	20	36	840	36	770	20	703	488	935	390
700	32,5	895	30	840	24	39,5	910	36	840	24	785	570	1002	430
800	35	1015	33	950	24	43	1025	40	950	24	820	580	1234	470
900	37,5	1115	33	1050	28	46,5	1125	39	1050	28	846	656	1260	510
1000	40	1230	36	1160	28	50	1255	42	1170	28	1012	750	1356	550
1200	45	1455	40	1380	32	57	1485	49	1390	32	-	-	-	630
1400	46	1675	43	1590	36	60	1685	49	1590	36	1457	988	2193	710
1600	49	1915	49	1820	40	65	1930	56	1820	40	1677	1213	2202	790
2000	55	2325	49	2230	48	75	2345	62	2230	48	-	-	-	950