



AVK CENTRIC U-SECTION BUTTERFLY VALVE, PN10/16

820/20-025

Stainless steel disc, loose EPDM liner for drinking water, with bare shaft, DN150-1600



AVK centric butterfly valves with loose liner, available in wafer, lug and U-section, designed for a wide standard range of actuators. The butterfly valves are designed with square driven anti-blowout shaft and slim disc of acid-resistant stainless steel, or Rilsan coated ductile iron disc, with machined and polished disc edges resulting in low torques.

Product description:

Centric butterfly valve with loose liner and bare shaft - U-section, For drinking water and neutral liquids up to max. 95°C

Standards:

- Designed according to EN 593
- Face-to-face dimension according to DIN/EN 558-1, series 20 (K1)
- Standard flange drilling to EN1092-2 (ISO 7005-2), PN10/16

Test/Approvals:

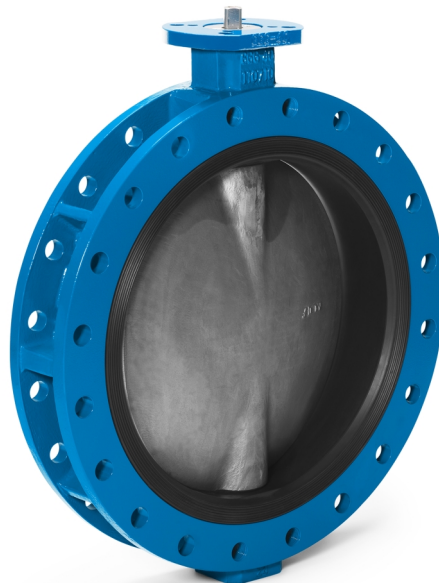
- Hydraulic test according to EN 12266-1, P10/P12
- Approved according to SVGW Certificate No. 9901-4048
- Approved for wastewater / pressure test EN12266-1
- Approved according to PED.BD.000001, TÜV-Mark, EU pressure directive 2014/68

Features:

- Ductile iron body with long neck for insulation
- Loose liner of drinking water approved EPDM with integrated gasket faces and “saw profile” for optimum grip in body
- Square driven anti-blowout shaft in one-piece design up to DN 400, and from DN 450 with key and keyway in two-piece stub design with two self-lubricating bearings
- Slim disc of acid-resistant stainless steel with machined and polished edges reducing the friction between liner and disc
- Low operating torques allowing use of cost-effective actuators
- 200µ epoxy coating up to DN 400, 250µ polyurethane from DN 450
- According to PED 2014/68/EC appendix 1

Accessories:

Lever, gearbox, pneumatic and electric actuators, universal Supa flange adaptor, dedicated tensile Supa Plus™ flange adaptor for PE/PVC, universal tensile Supa Maxi™ flange adaptor



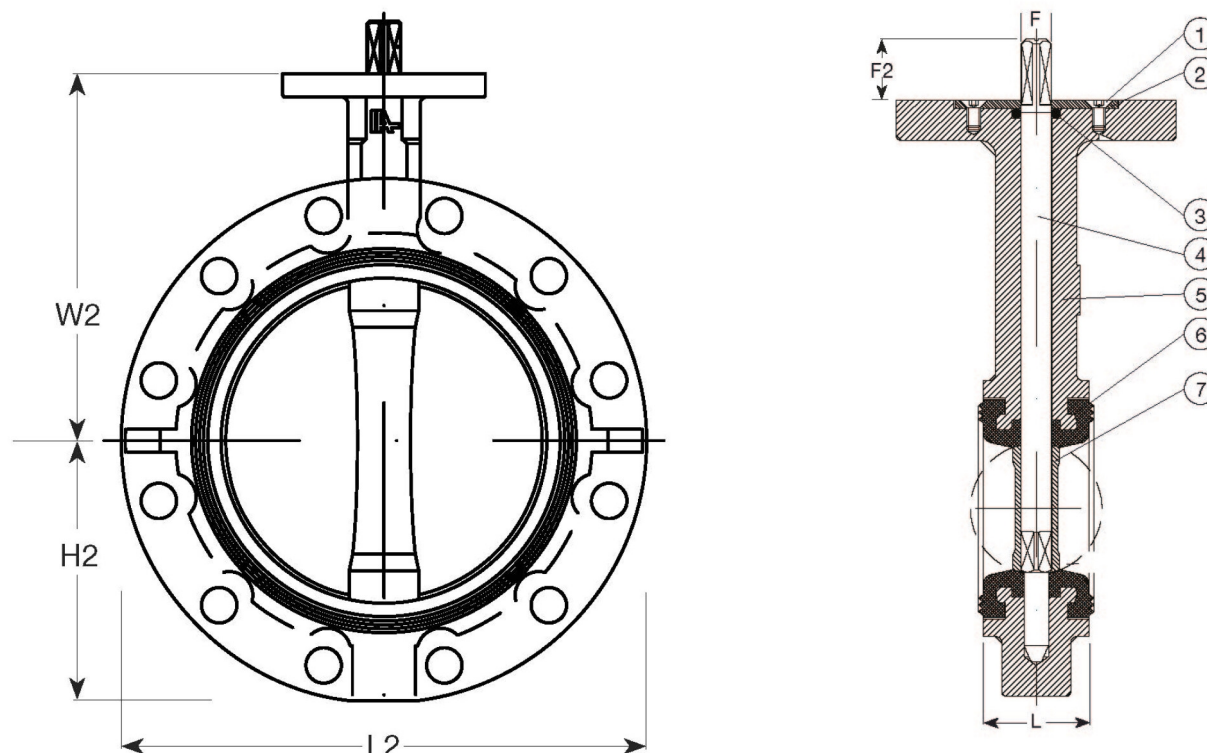
Expect ... **AVR**

The designs, materials and specifications shown are subject to change without notice. This is due to the continuous development of our product programme.

AVK CENTRIC U-SECTION BUTTERFLY VALVE, PN10/16

820/20-025

Stainless steel disc, loose EPDM liner for drinking water, with bare shaft, DN150-1600



Component list:

1. Bolt	Stainless steel A2	5. Body	Ductile iron GJS-400-15 (GGG-40)
2. Washer	Stainless steel A2	6. Liner	EPDM rubber
3. O-ring	NBR rubber	7. Disc	Stainless steel 316
4. Shaft	Stainless steel 420		

Components may be substituted with equivalent or higher class materials without prior notification.

Reference nos. and dimensions:

AVK ref. no.	DN mm	Product PN Class	Unbalance pressure bar	Actuator Flange	L mm	L2 mm	H2 mm	W2 mm	F mm	F2 mm	Theoretical weight/kg
820-0150-20-041L0160002	150	PN 10/16	16	F07	56	285	143	210	#14	16	15
820-0200-20-041L0030002	200	PN10	10	F07	60	340	170	240	#17	19	20
820-0200-20-041L0160002 (1)	200	PN16	16	F07	60	340	170	240	#17	19	20
820-0250-20-041L0030002	250	PN10	10	F10/F12	68	406	200	279	#22	24	31
820-0250-20-041L0160002 (1)	250	PN16	16	F10/F12	68	406	200	279	#22	24	31
820-0300-20-041L0030002	300	PN10	10	F10/F12	78	482	239	315	#22	24	44
820-0300-20-041L0160002 (1)	300	PN16	16	F10/F12	78	482	239	315	#22	24	44
820-0350-20-04020030002	350	PN10	10	F12	80	533	265	330	#22	40	59
820-0350-20-04020160002 (1)	350	PN16	16	F12	80	533	265	330	#22	40	59
820-0400-20-04020030002	400	PN10	10	F12	102	597	296	365	#27	40	82
820-0400-20-04020160002 (1)	400	PN16	16	F12	102	597	296	365	#27	40	82
820-0450-20-04060031002	450	PN10	10	F14	113	640	355	397	Ø45	65	118
820-0450-20-04060161002 (1)	450	PN16	16	F14	113	640	355	397	Ø45	65	118
820-0500-20-04060031002	500	PN10	10	F14	126	715	393	437	Ø45	65	175
820-0500-20-04060161002 (1)	500	PN16	16	F14	126	715	393	437	Ø45	65	175
820-0600-20-04060031002	600	PN10	10	F16	153	840	464	522	Ø70	80	260
820-0600-20-04060161002 (1)	600	PN16	16	F16	153	840	464	522	Ø70	80	260
820-0700-20-04060031002	700	PN10	10	F25	168	927	503	565	Ø70	80	345
820-0700-20-04060161002 (1)	700	PN16	16	F25	168	927	503	565	Ø70	80	345
820-0800-20-04060031002	800	PN10	10	F25	190	1060	577	627	Ø70	80	510
820-0800-20-04060161002 (1)	800	PN16	16	F25	190	1060	577	627	Ø70	80	510

The designs, materials and specifications shown are subject to change without notice. This is due to the continuous development of our product programme.

AVK CENTRIC U-SECTION BUTTERFLY VALVE, PN10/16**820/20-025****Stainless steel disc, loose EPDM liner for drinking water, with bare shaft, DN150-1600****Reference nos. and dimensions:**

AVK ref. no.	DN mm	Product PN Class	Unbalance pressure bar	Actuator Flange	L mm	L2 mm	H2 mm	W2 mm	F mm	F2 mm	Theoretical weight/kg
820-0900-20-04060031002	900	PN10	10	F30	204	1170	643	696	Ø80	100	660
820-0900-20-04060161002 (1)	900	PN16	16	F30	204	1170	643	696	Ø80	100	660
820-1000-20-04060031002	1000	PN10	10	F30	218	1255	693	745	Ø80	100	790
820-1000-20-04060161002 (1)	1000	PN16	16	F30	218	1255	693	745	Ø80	100	790
820-1100-20-04060031002	1100	PN10	10	F30	218	1395	738	820	Ø80	100	850
820-1100-20-04060161002 (1)	1100	PN16	16	F30	218	1395	738	820	Ø80	100	850
820-1200-20-04060031002	1200	PN10	10	F30	254	1485	806	881	Ø100	120	1180
820-1200-20-04060161002 (1)	1200	PN16	16	F30	254	1485	806	881	Ø100	120	1180
820-1400-20-04060031002	1400	PN10	10	F30	280	1746	908	990	Ø120	120	1700
820-1400-20-04060161002 (1)	1400	PN16	16	F30	280	1746	908	990	Ø120	120	1700
820-1600-20-04060031002	1600	PN10	10	F35	318	1924	1048	1117	Ø130	155	2600
820-1600-20-04060161002 (1)	1600	PN16	16	F35	318	1924	1048	1117	Ø130	155	2600

(1) 10 bar. working pressure also available