



AVK DOUBLE ECCENTRIC BUTTERFLY VALVE, PN10/16

756/102-IS1

Integral seat, ISO-input IP67 gearbox, plate disc, long, DN700-2800

AVK double eccentric butterfly valves are designed with tilted disc for easy operation. The disc seal is made of AVK's drinking water approved EPDM rubber featuring an excellent compression set and thus ability to regain its original shape. The high quality DVGW/WRAS approved epoxy coating and fully encapsulated shaft/disc connection ensure high durability. The valves up to DN2400 are suitable for bi-directional application, DN2600 and above must be operated uni-directional.

Product description:

Double eccentric butterfly valve to EN 593 w. integral seat and ISO-input IP67 gearbox for drinking water and neutral liquids to max. 70°C

Standards:

- Designed according to EN 593
- Face-to-face dimension according to EN 558 Table 2 Series 14 (DN≤2000)/DIN 3202 - F4 (DN>2000)
- Flange drilling to EN1092-2 (DN700-2000) / DIN2501(DN>2000 PN10 body) / special drilling (DN>2000 PN16 body)

Test/Approvals:

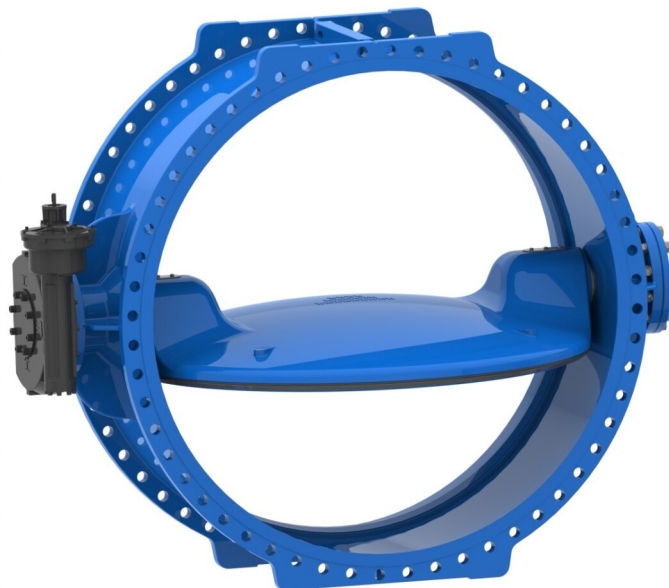
- Hydraulic test according to EN 1074-1 and 2 / EN 12266
- Seat: 1.1 x PN. Body: 1.5 x PN.
- Approved for drinking water

Features:

- The tilted disc releases the compression of the disc sealing after a few degrees of opening resulting in low operating torque
- The disc seal profile and rubber quality ensure low closing torques
- All rubber parts are multi approved
- Seal retainer ring of stainless steel
- The threaded bolt holes in the disc are corrosion protected with O-rings
- Machined and epoxy coated ductile iron seat integrated in the body
- Shaft of stainless steel with self-lubricating bearings
- The shaft ends are fully encapsulated in the disc and are fixed with dowels corrosion protected with O-rings and a stainless steel security plate. Key and keyway as backup
- Replaceable shaft sealing with two EPDM O-rings on each side of a bronze bushing, and a flat NBR gasket
- DN 700-1600, body and disc coated with fusion bonded epoxy coating in compliance with DIN 3476 part 1 and EN 14901, GSK approved, blue RAL 5017, according to WRAS-DVGW/W270/UBA
- DN ≥ 1800, body and disc coated with 2-pack epoxy, blue RAL 5017 externally, ribbon blue or cream white internally, according to WRAS
- Bi-directional operation up to DN2400 and uni-directional from DN2600 and above

Accessories:

Electric actuator, dismantling joint and flange adaptor

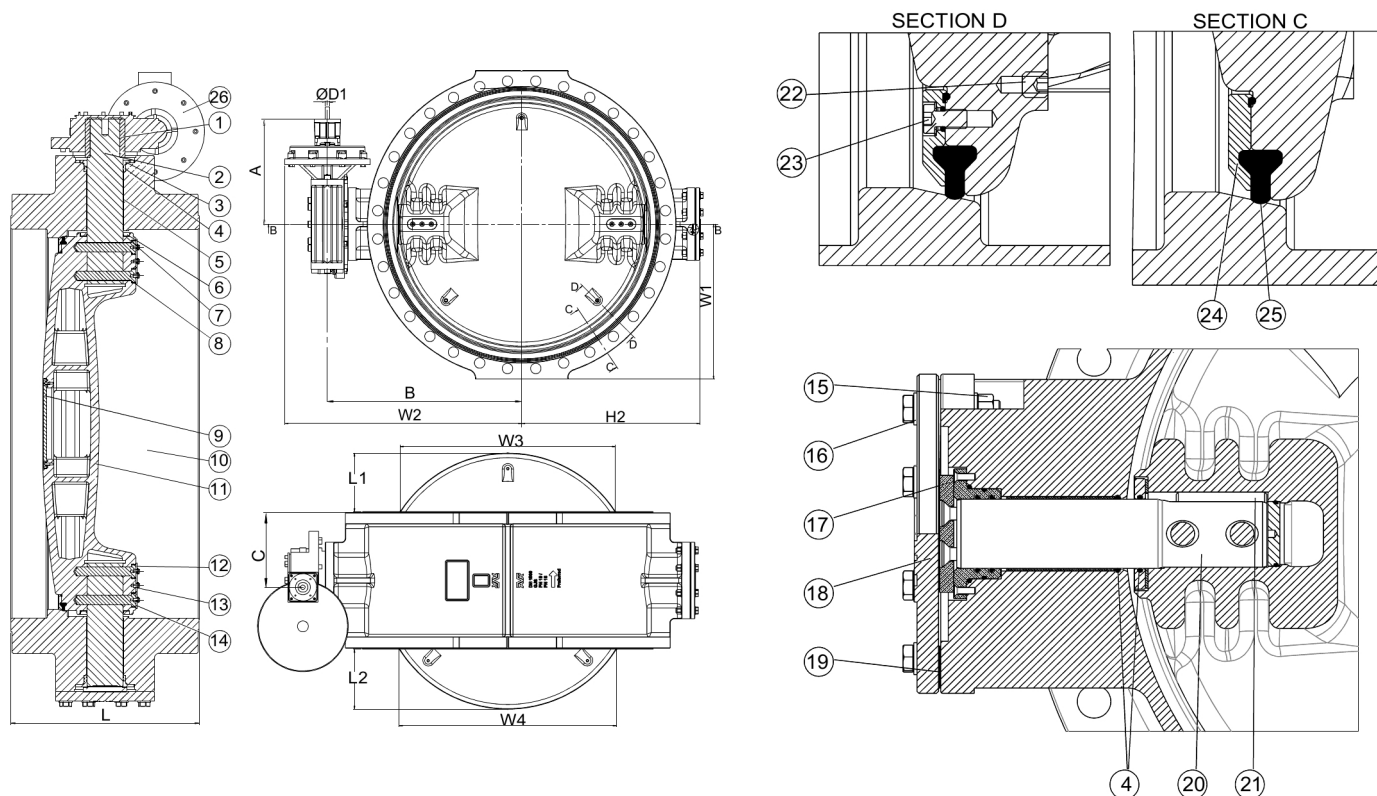


Expect ... **AVR**

AVK DOUBLE ECCENTRIC BUTTERFLY VALVE, PN10/16

Integral seat, ISO-input IP67 gearbox, plate disc, long, DN700-2800

756/102-IS1



Component list:

1. Key	Stainless steel A2	14. Washer	Stainless steel A2
2. Drive shaft	Stainless steel 431	15. Nut	Stainless steel A2
3. Seal housing	Bronze	16. Washer	Stainless steel A2
4. O-ring	EPDM rubber	17. Thrust bearing	Bronze
5. Self-lubricating bearing	Bronze / PTFE composite	18. End plate	Ductile iron GJS-500-7
6. Disc cover	Stainless steel	19. Gasket	EPDM rubber
7. Disc cover gasket	EPDM rubber	20. Stub shaft	Stainless steel 431
8. Dowel	Stainless steel A2	21. Safety key	Stainless steel A2
9. Blanking flange ⁽¹⁾	Ductile iron GJS-500-7	22. Screw	Stainless steel A2
10. Body	Ductile iron GJS-500-7	23. Bolt	Stainless steel A2
11. Disc	Ductile iron GJS-500-7	24. Seal retainer ring	Stainless steel
12. Security plate	Stainless steel	25. Disc seal	EPDM rubber
13. Spring washer	Stainless steel A2	26. Gearbox	Cast iron

Components may be substituted with equivalent or higher class materials without prior notification.

Reference nos. and dimensions:

AVK ref. no.	DN	Flange	L	L1	L2	H2	W1	W2	W3	W4	D1	A	B	C	Actuator	Theoretical
	mm	drilling	mm	mm	mm	mm	mm	mm	mm	mm	mm	mm	mm	mm	Flange	weight/kg
756-0700-1-04002	700	PN10	430	127	133	550	448	730	533	543	20	335	605	255	F10	469
756-0700-1-14002	700	PN16	430	124	130	565	455	725	527	537	20	342	600	297	F10	551
756-0800-1-04002	800	PN10	470	156	162	620	508	765	627	636	20	313	670	349	F10	632
756-0800-1-14002	800	PN16	470	155	161	635	513	795	626	635	20	342	670	317	F10	697
756-0900-1-04002	900	PN10	510	186	192	690	558	865	722	730	20	342	740	337	F10	780
756-0900-1-14002	900	PN16	510	185	191	705	563	835	721	729	20	313	740	369	F10	885
756-1000-1-04002	1000	PN10	550	216	222	770	615	1040	816	824	20	469	836	306	F10	996
756-1000-1-14002	1000	PN16	550	215	221	785	628	1041	814	822	20	469	837	306	F10	1131
756-1200-1-04002	1200	PN10	630	269	275	855	728	1134	986	993	20	469	930	346	F10	1541
756-1200-1-14002	1200	PN16	630	268	274	874	743	1121	985	993	20	469	917	346	F10	1745

The designs, materials and specifications shown are subject to change without notice. This is due to the continuous development of our product programme.

AVK DOUBLE ECCENTRIC BUTTERFLY VALVE, PN10/16**756/102-IS1****Integral seat, ISO-input IP67 gearbox, plate disc, long, DN700-2800****Reference nos. and dimensions:**

AVK ref. no.	DN mm	Flange drilling	L mm	L1 mm	L2 mm	H2 mm	W1 mm	W2 mm	W3 mm	W4 mm	D1 mm	A mm	B mm	C mm	Actuator Flange	Theoretical weight/kg
756-1400-1-04002	1400	PN10	710	333	339	970	838	1241	1182	1189	20	469	1037	386	F10	2228
756-1400-1-14002	1400	PN16	710	333	339	970	843	1253	1182	1189	20	505	1049	422	F10	2474
756-1500-1-04002	1500	PN10	750	363	369	1070	893	1341	1274	1281	20	469	1137	406	F10	2684
756-1500-1-14002	1500	PN16	750	363	369	1070	913	1353	1274	1281	20	505	1149	442	F10	3003
756-1600-1-04002	1600	PN10	790	390	396	1145	958	1428	1359	1366	20	505	1224	462	F10	3189
756-1600-1-14002	1600	PN16	790	390	396	1145	965	1428	1359	1366	20	505	1224	462	F14	3470
756-1800-1-04002	1800	PN10	870	448	454	1220	1058	1490	1540	1547	20	605	1299	714	F14	3796
756-1800-1-14002	1800	PN16	870	448	454	1220	1065	1490	1540	1547	20	605	1299	714	F10	4363
756-2000-1-04002	2000	PN10	950	521	527	1382	1180	1653	1753	1760	20	605	1462	753	F14	5327
756-2000-1-14002	2000	PN16	950	521	527	1382	1180	1652	1753	1760	20	605	1461	754	F14	6035
756-2200-1-04002	2200	PN10 DIN	1030	576	582	1472	1275	1731	1926	1932	20	605	1540	794	F10	6652
756-2200-1-14002	2200	PN16 DIN	1030	576	582	1482	1278	1742	1926	1932	20	634	1551	858	F10	8023
756-2400-1-04002	2400	PN10 DIN	1110	633	639	1613	1380	1859	2103	2019	20	648	1668	877	F10	9350
756-2400-1-14002	2400	PN16 DIN	1110	676	682	1584	1382	1859	2126	2132	30	786	1668	732	F14	11550
756-2600-1-04002 (1)	2600	PN10	1190	693	699	1820	1490	2066	2289	2295	20	635	1861	879	F10	11112
756-2600-1-14002 (1)	2600	PN16	1190	693	699	1855	1535	2120	2289	2295	30	790	1920	920	F14	14147
756-2800-1-04002 (1)	2800	PN10	1270	738	739	1921	1600	2164	2441	2442	20	648	1973	957	F10	12593

(1) Uni-directional