



AVK DOUBLE ECCENTRIC BUTTERFLY VALVE, PN10/16

756/100-681

Integral seat, IP67 gearbox, plate disc, long, internal enamel, DN700-800

AVK double eccentric butterfly valves are designed with tilted disc for easy operation. The disc seal is made of AVK's drinking water approved EPDM rubber featuring an excellent compression set and thus ability to regain its original shape. The high quality epoxy coating / internal enamel and fully encapsulated shaft/disc connection ensure high durability. The valves are suitable for bi-directional application.

Product description:

Double eccentric butterfly valve to EN 593 w. integral seat and IP67 gearbox w. handwheel, position indicator and internal enamel. For drinking water and neutral liquids to max. 70°C

Standards:

- Designed according to EN 593
- Face-to-face dimension according to EN 558 Table 2 Basic Series 14
- Standard flange drilling to EN1092-2 (ISO 7005-2), PN10/16

Test/Approvals:

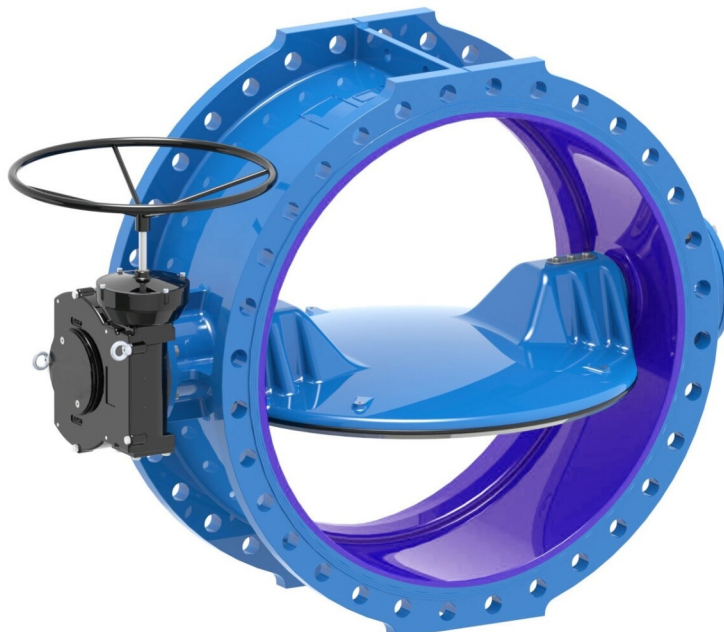
- Hydraulic test according to EN 1074-1 and 2 / EN 12266
- Approved for drinking water
- Approved according to KIWA Certificate K 6320

Features:

- The tilted disc releases the compression of the disc sealing after a few degrees of opening resulting in low operating torque
- The disc seal profile and rubber quality ensure low closing torques
- All rubber parts are multi approved
- Seal retainer ring of stainless steel
- The threaded bolt holes in the disc are corrosion protected with O-rings
- Machined and enamel coated ductile iron seat integrated in the body
- Shaft of stainless steel with self-lubricating bearings
- The shaft ends are fully encapsulated in the disc and are fixed with dowels corrosion protected with O-rings and a stainless steel security plate. Key and keyway as backup
- Replaceable shaft sealing with two EPDM O-rings on each side of a bronze bushing, and a flat NBR gasket
- Body of ductile iron with internal enamel coating in compliance with DIN51178, EN ISO 11177 and DEV, and external fusion bonded epoxy coating in compliance with DIN 3476 part 1 and EN 14901, GSK approved.

Accessories:

Dismantling joint and flange adaptor



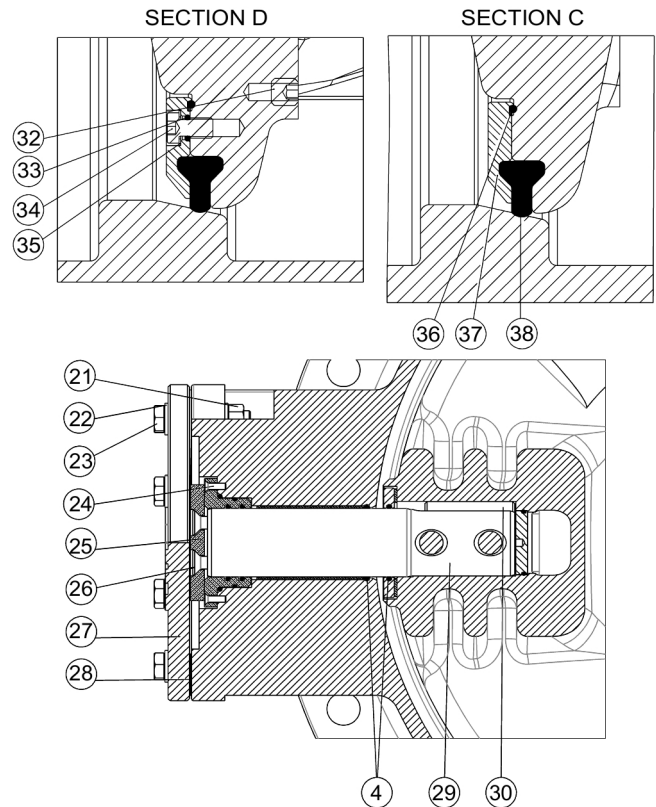
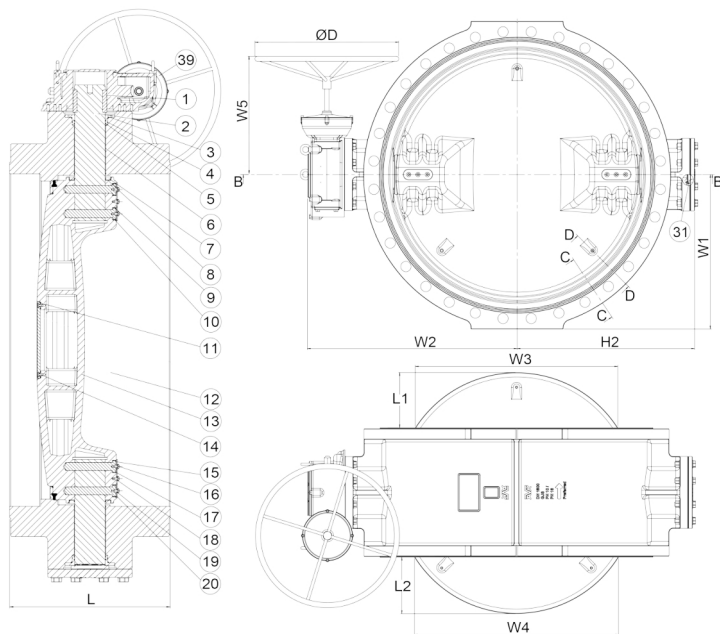
kiwa

Expect ... **AVR**

The designs, materials and specifications shown are subject to change without notice. This is due to the continuous development of our product programme.

AVK DOUBLE ECCENTRIC BUTTERFLY VALVE, PN10/16
Integral seat, IP67 gearbox, plate disc, long, internal enamel, DN700-800

756/100-681



Component list:

1. Key	Stainless steel A2	21. Nut	Stainless steel A2
2. Valve shaft	Stainless steel 431	22. Washer	Stainless steel A2
3. Seal housing	Bronze	23. Screw	Stainless steel A2
4. O-ring	EPDM rubber	24. Screw	Stainless steel A2
5. O-ring	EPDM rubber	25. Thrust bearing	Bronze
6. Self-lubricating bearing	Bronze / PTFE composite	26. Screw	Stainless steel A2
7. Disc cover	Stainless steel	27. End plate	Ductile iron GJS-500-7 (GGG-50)
8. Disc cover gasket	EPDM rubber	28. Gasket	EPDM rubber
9. O-ring	EPDM rubber	29. Stub shaft	Stainless steel 431
10. Dowel	Stainless steel A2	30. Safety key	Stainless steel A2
11. O-ring	EPDM rubber	31. Screw	Stainless steel A2
12. Body	Ductile iron GJS-500-7 (GGG-50)	32. Screw	Stainless steel A2
13. Disc	Ductile iron GJS-500-7 (GGG-50)	33. O-ring	EPDM rubber
14. Screw	Stainless steel A2	34. Bolt	Stainless steel A2
15. Security plate	Stainless steel	35. Washer	Stainless steel A2
16. Screw	Stainless steel A2	36. O-ring	EPDM rubber
17. O-ring	EPDM rubber	37. Seal retainer ring	Stainless steel
18. Spring washer	Stainless steel A2	38. Disc seal	EPDM rubber
19. O-ring	EPDM rubber	39. Gearbox	Cast iron
20. Washer	Zinc		

Components may be substituted with equivalent or higher class materials without prior notification.

Reference nos. and dimensions:

AVK ref. no.	DN	Flange	D	L	L1	L2	H2	W1	W2	W3	W4	W5	Theoretical weight/kg
	mm	drilling	mm	mm	mm	mm	mm	mm	mm	mm	mm	mm	
756-0700-1-04100	700	PN10	600	430	127	133	550	448	641	533	543	457	444

The designs, materials and specifications shown are subject to change without notice. This is due to the continuous development of our product programme.

AVK DOUBLE ECCENTRIC BUTTERFLY VALVE, PN10/16
Integral seat, IP67 gearbox, plate disc, long, internal enamel, DN700-800

756/100-681

Reference nos. and dimensions:

AVK ref. no.	DN mm	Flange drilling	D mm	L mm	L1 mm	L2 mm	H2 mm	W1 mm	W2 mm	W3 mm	W4 mm	W5 mm	Theoretical weight/kg
756-0700-1-14100	700	PN16	600	430	127	133	550	448	641	533	543	457	517
756-0800-1-04100	800	PN10	600	470	156	162	620	508	711	627	636	457	592
756-0800-1-14100	800	PN16	600	470	156	162	620	508	711	627	636	457	663