



## AVK DOUBLE ECCENTRIC BUTTERFLY VALVE, PN10/16

756/100-672

Stainless steel seat, IP67 gearbox, plate disc, long, DN700-2800

AVK double eccentric butterfly valves are designed with tilted disc for easy operation. The disc seal is made of AVK's drinking water approved EPDM rubber featuring an excellent compression set and thus ability to regain its original shape. The high quality DVGW/WRAS approved epoxy coating and fully encapsulated shaft/disc connection ensure high durability. The valves up to DN2400 are suitable for bi-directional application, DN2600 and above must be operated uni-directional.

### Product description:

Double eccentric butterfly valve to EN 593 w. SS seat and IP67 gearbox w. handwheel for drinking water and neutral liquids to max. 70°C

### Standards:

- Designed according to EN 593
- Face-to-face dimension according to EN 558 Table 2 Series 14 (DN≤2000)/DIN 3202 - F4 (DN>2000)
- Flange drilling to EN1092-2 (DN700-2000) / DIN2501(DN>2000 PN10 body) / special drilling (DN>2000 PN16 body)

### Test/Approvals:

- Hydraulic test according to EN 1074-1 and 2 / EN 12266
- Approved for drinking water
- Approved according to KIWA Certificate K 6320 (DN 700-800 only)
- Approved according to DIN-DVGW Certificate NW-6201BR0451 (DN 700-1200 only)

### Features:

- The tilted disc releases the compression of the disc sealing after a few degrees of opening resulting in low operating torque
- The disc seal profile and rubber quality ensure low closing torques
- All rubber parts are multi approved
- Seal retainer ring of stainless steel
- The threaded bolt holes in the disc are corrosion protected with O-rings
- Replaceable seat ring of stainless steel fixed with bolts sealed with epoxy and sealed with an O-ring
- Shaft of stainless steel AISI 431 with self-lubricating bearings
- The shaft ends are fully encapsulated in the disc and are fixed with dowels corrosion protected with O-rings and a stainless steel security plate. Key and keyway as backup
- Replaceable shaft sealing with two EPDM O-rings on each side of a bronze bushing, and a flat NBR gasket
- DN 700-1600, body and disc coated with fusion bonded epoxy coating in compliance with DIN 3476 part 1 and EN 14901, GSK approved, blue RAL 5017, according to WRAS-DVGW/W270/UBA
- DN ≥ 1800, body and disc coated with 2-pack epoxy, blue RAL 5017 externally, ribbon blue or cream white internally, according to WRAS
- Bi-directional operation up to DN2400 and uni-directional from DN2600 and above

### Accessories:

Dismantling joint and flange adaptor



kiwa

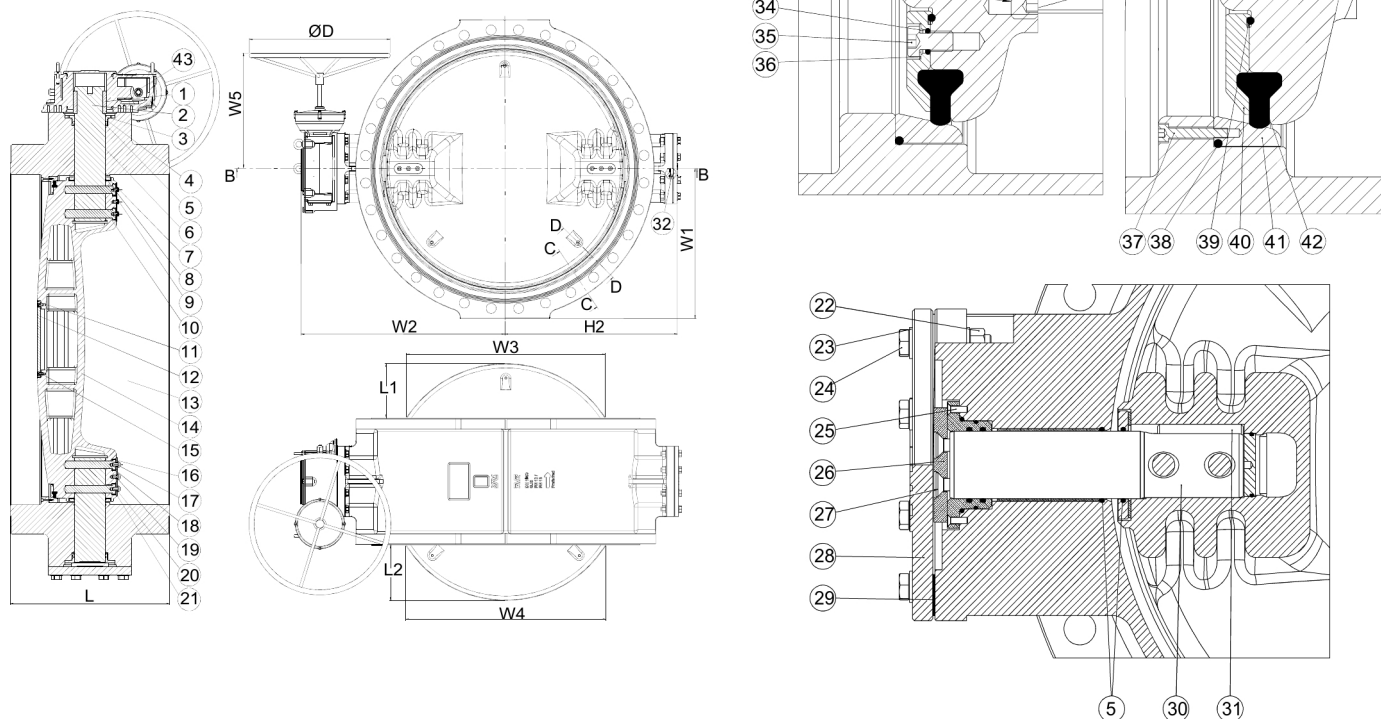
Expect ... **AVR**

The designs, materials and specifications shown are subject to change without notice. This is due to the continuous development of our product programme.

# AVK DOUBLE ECCENTRIC BUTTERFLY VALVE, PN10/16

756/100-672

Stainless steel seat, IP67 gearbox, plate disc, long, DN700-2800



## Component list:

1. Key	Stainless steel A2	23. Washer	Stainless steel A2
2. Valve shaft	Stainless steel 431	24. Screw	Stainless steel A2
3. Seal housing	Bronze	25. Screw	Stainless steel A2
4. O-ring	EPDM rubber	26. Thrust bearing	Bronze
5. O-ring	EPDM rubber	27. Screw	Stainless steel A2
6. Self-lubricating bearing	Bronze / PTFE composite	28. End plate	Ductile iron GJS-500-7 (GGG-50)
7. Disc cover	Stainless steel	29. Gasket	EPDM rubber
8. Disc cover gasket	EPDM rubber	30. Stub shaft	Stainless steel 431
9. O-ring	EPDM rubber	31. Safety key	Stainless steel A2
10. Dowel	Stainless steel A2	32. Screw	Stainless steel A2
11. O-ring	EPDM rubber	33. Screw	Stainless steel A2
12. Blanking flange	Ductile iron GJS-500-7 (GGG-50)	34. O-ring	EPDM rubber
13. Body	Ductile iron GJS-500-7 (GGG-50)	35. Bolt	Stainless steel A2
14. Disc	Ductile iron GJS-500-7 (GGG-50)	36. Washer	Stainless steel A2
15. Screw	Stainless steel A2	37. Screw	Stainless steel A2
16. Security plate	Stainless steel	38. O-ring	EPDM rubber
17. Screw	Stainless steel A2	39. O-ring	EPDM rubber
18. O-ring	EPDM rubber	40. Seal retainer ring	Stainless steel
19. Spring washer	Stainless steel A2	41. Seat ring	Stainless steel
20. O-ring	EPDM rubber	42. Disc seal	EPDM rubber
21. Washer	Zinc	43. Gearbox	Cast iron
22. Nut	Stainless steel A2		

Components may be substituted with equivalent or higher class materials without prior notification.

**AVK DOUBLE ECCENTRIC BUTTERFLY VALVE, PN10/16****756/100-672****Stainless steel seat, IP67 gearbox, plate disc, long, DN700-2800****Reference nos. and dimensions:**

AVK ref. no.	DN	Flange	D	L	L1	L2	H2	W1	W2	W3	W4	W5	Theoretical weight/kg
	mm	drilling	mm	mm	mm	mm	mm	mm	mm	mm	mm	mm	
756-0700-1-0400009	700	PN10	600	430	127	133	550	448	641	533	543	457	444
756-0700-1-1400009	700	PN16	700	430	127	133	550	455	641	533	543	517	517
756-0800-1-0400009	800	PN10	600	470	156	162	620	508	711	627	636	457	669
756-0800-1-1400009	800	PN16	700	470	156	162	620	513	711	627	636	517	663
756-0900-1-0400009	900	PN10	700	510	186	192	690	558	791	722	730	517	745
756-0900-1-1400009	900	PN16	700	510	186	192	690	563	791	722	730	570	874
756-1000-1-0400009	1000	PN10	700	550	216	222	770	615	871	816	824	530	974
756-1000-1-1400009	1000	PN16	600	550	216	222	770	628	871	816	824	570	1113
756-1200-1-0400009	1200	PN10	600	630	269	275	855	728	956	986	993	570	1442
756-1200-1-1400009	1200	PN16	700	630	269	275	855	743	956	986	993	590.5	1678
756-1400-1-0400009	1400	PN10	700	710	333	339	970	838	1071	1182	1189	570	2150
756-1400-1-1400009	1400	PN16	700	710	333	339	970	843	1119	1182	1189	590.5	2472
756-1500-1-0400009	1500	PN10	700	750	363	369	1070	913	1219	1274	1281	570	2606
756-1500-1-1400009	1500	PN16	700	750	363	369	1070	913	1219	1274	1281	590.5	3001
756-1600-1-0400009	1600	PN10	700	790	390	396	1145	958	1294	1359	1366	590.5	3187
756-1600-1-1400009	1600	PN16	700	790	390	396	1145	965	1294	1359	1366	630.5	3468
756-1800-1-0400009	1800	PN10	600	870	448	454	1220	1058	1369	1540	1547	734	3794
756-1800-1-1400009	1800	PN16	600	870	448	454	1220	1065	1398	1540	1547	734	4217
756-2000-1-0400009	2000	PN10	600	950	521	527	1382	1180	1547	1753	1760	734	5287
756-2000-1-1400009	2000	PN16	600	950	521	527	1382	1180	1560	1753	1760	734	5235
756-2200-1-0400009	2200	PN10 DIN	500	1030	576	582	1472	1275	1650	1926	1932	784	6534
756-2200-1-1400009	2200	PN16 DIN	600	1030	576	582	1482	1278	1657	1926	1932	810	8361
756-2400-1-0400009	2400	PN10 DIN	600	1110	633	639	1613	1380	1759	2103	2109	810	9380
756-2400-1-1400009	2400	PN16 DIN	600	1110	633	639	1584	1382	1753	2103	2109	810	11520
756-2600-1-0400009 <sup>(1)</sup>	2600	PN10	600	1190	693	699	1820	1490	1980	2289	2295	826	11110
756-2600-1-1400009 <sup>(1)</sup>	2600	PN16	400	1190	693	699	1855	1535	2050	2289	2295	780	14260
756-2800-1-0400009 <sup>(1)</sup>	2800	PN10	600	1270	738	739	1921	1600	2080	2441	2442	780	12850

<sup>(1)</sup> Uni-directional