



AVK DOUBLE ECCENTRIC BUTTERFLY VALVE, PN10/16

756/100-114

Integral seat, IP67 gearbox, plate disc, long, internal enamel, DN150-600

AVK double eccentric butterfly valves are designed with tilted disc for easy operation. The disc seal is made of AVK's drinking water approved EPDM rubber featuring an excellent compression set and thus ability to regain its original shape. The high quality GSK approved epoxy coating / internal enamel and the corrosion protected shaft end zones ensure high durability. The valves are suitable for bi-directional application.

Product description:

Double eccentric butterfly valve to EN 593 w. integral seat and IP67 gearbox w. handwheel, position indicator and internal enamel. For drinking water and neutral liquids to max. 70°C

Standards:

- Designed according to EN 593
- Face-to-face dimension according to EN 558 Table 2 Basic Series 14
- Standard flange drilling to EN1092-2 (ISO 7005-2), PN10/16

Test/Approvals:

- Hydraulic test according to EN 1074-1 and 2 / EN 12266
- Approved according to KIWA Certificate K 6320
- Approved according to WRAS Certificate No. 2206003

Features:

- The tilted disc releases the compression of the disc sealing after a few degrees of opening resulting in low operating torque
- The disc seal profile and rubber quality ensure low closing torques
- All rubber parts are multi approved
- Seal retainer ring of stainless steel
- The threaded bolt holes in the disc are corrosion protected with O-rings
- Machined and enamel coated ductile iron seat integrated in the body
- Shaft of stainless steel with self-lubricating bearings
- The shaft ends are corrosion protected with a stainless steel security plate and a gasket
- Replaceable shaft sealing with an EPDM O-ring on a stainless steel ring, a back-up EPDM O-ring in the housing, and a flat NBR gasket
- Body of ductile iron with internal enamel coating in compliance with DIN51178, EN ISO 11177 and DEV, and external fusion bonded epoxy coating in compliance with DIN 3476 part 1 and EN 14901, GSK approved.

Accessories:

Extension spindle, street cover, handwheel, stem cap for rod #25 mm, dismantling joint and flange adaptor



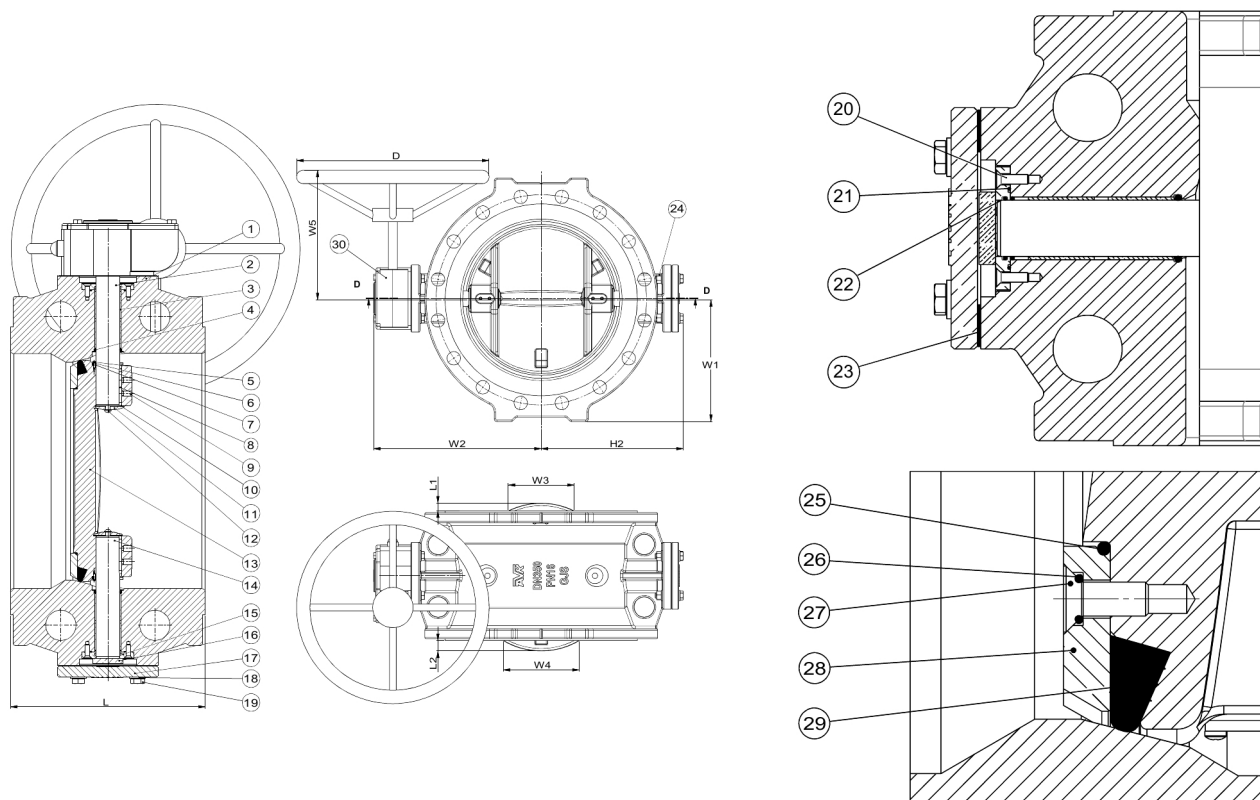
kiwa

Expect... **AVR**

The designs, materials and specifications shown are subject to change without notice. This is due to the continuous development of our product programme.

AVK DOUBLE ECCENTRIC BUTTERFLY VALVE, PN10/16
Integral seat, IP67 gearbox, plate disc, long, internal enamel, DN150-600

756/100-114



Component list:

1. Body	Ductile iron GJS-500-7 (GGG-50)	16. Thrust bearing	Bronze
2. Drive shaft	Stainless steel 431	17. End plate	Ductile iron GJS-500-7 (GGG-50)
3. Bearing	Bronze / PTFE composite	18. Washer	Stainless steel A2
4. O-ring	EPDM rubber	19. Bolt	Stainless steel A2
5. Bolt, socket head	Stainless steel A2	20. Screw	Stainless steel A2
6. Cover	Stainless steel	21. O-ring	EPDM rubber
7. Gasket	EPDM rubber	22. O-ring	EPDM rubber
8. Key	Stainless steel A2	23. Gasket	EPDM rubber
9. Set screw	Stainless steel A2	24. Nut	Stainless steel A2
10. Gasket	EPDM rubber	25. O-ring	EPDM rubber
11. End cover	Stainless steel	26. O-ring	EPDM rubber
12. Screw	Stainless steel A2	27. Screw	Stainless steel A2
13. Disc	Ductile iron GJS-500-7 (GGG-50)	28. Seal retainer ring	Stainless steel
14. Stub shaft	Stainless steel 431	29. Seal ring	EPDM rubber
15. Spacer	Bronze	30. Gearbox	Cast iron

Components may be substituted with equivalent or higher class materials without prior notification.

Reference nos. and dimensions:

AVK ref. no.	DN	Flange drilling	D	L	L1	L2	H2	W1	W2	W3	W4	W5	Theoretical weight/kg
756-0150-1-14100	150	PN10/16	250	210	-	-	201	155	263	-	-	276	37
756-0200-1-04100	200	PN10	250	230	-	-	227	182	279	-	-	276	40
756-0200-1-14100	200	PN16	250	230	-	-	227	182	279	-	-	276	40
756-0250-1-04100	250	PN10	250	250	-	1	261	215	313	-	6	276	71
756-0250-1-14100	250	PN16	250	250	-	1	261	215	313	-	6	276	71
756-0300-1-04100	300	PN10	400	270	1	12	292	242	343	6	104	306	100
756-0300-1-14100	300	PN16	400	270	1	12	292	242	343	6	104	306	106

The designs, materials and specifications shown are subject to change without notice. This is due to the continuous development of our product programme.

AVK DOUBLE ECCENTRIC BUTTERFLY VALVE, PN10/16
Integral seat, IP67 gearbox, plate disc, long, internal enamel, DN150-600

756/100-114

Reference nos. and dimensions:

AVK ref. no.	DN mm	Flange drilling	D mm	L mm	L1 mm	L2 mm	H2 mm	W1 mm	W2 mm	W3 mm	W4 mm	W5 mm	Theoretical weight/kg
756-0350-1-04100	350	PN10	400	290	20	26	318	272	369	151	173	306	128
756-0350-1-14100	350	PN16	400	290	20	26	318	272	369	151	173	306	134
756-0400-1-04100	400	PN10	400	310	35	41	349	302	403	215	232	306	166
756-0400-1-14100	400	PN16	400	310	35	41	349	302	403	215	232	306	166
756-0450-1-04100	450	PN10	500	330	48	55	390	332	440	267	284	416	211
756-0450-1-14100	450	PN16	500	330	48	55	390	332	440	267	284	416	219
756-0500-1-04100	500	PN10	500	350	63	69	427	370	477	322	335	416	206
756-0500-1-14100	500	PN16	500	350	63	69	427	370	477	322	335	416	282
756-0600-1-04100	600	PN10	600	390	94	100	503	435	556	426	437	456	381
756-0600-1-14100	600	PN16	600	390	94	100	503	435	556	426	437	456	426

The designs, materials and specifications shown are subject to change without notice. This is due to the continuous development of our product programme.