



AVK FLANGED PIPE

712/5310-001

1000 MM, PN 10/16



AVK's range of fittings comprises a wide selection of variants with socket and flange connection. The fittings are made of ductile iron GJS-500-7 and are epoxy coated according to DIN 3476 and GSK specifications - internally and externally.



Product description:

Double flange pipe type FF for water, waste water and neutral liquids to max. 70° C

Design standards:

- EN 545
- Flange drilling to EN1092, PN10/16

Features:

- Ductile iron fitting to EN 545
- Body of GJS-500-7
- Epoxy coated to DIN 3476 and GSK internally and externally

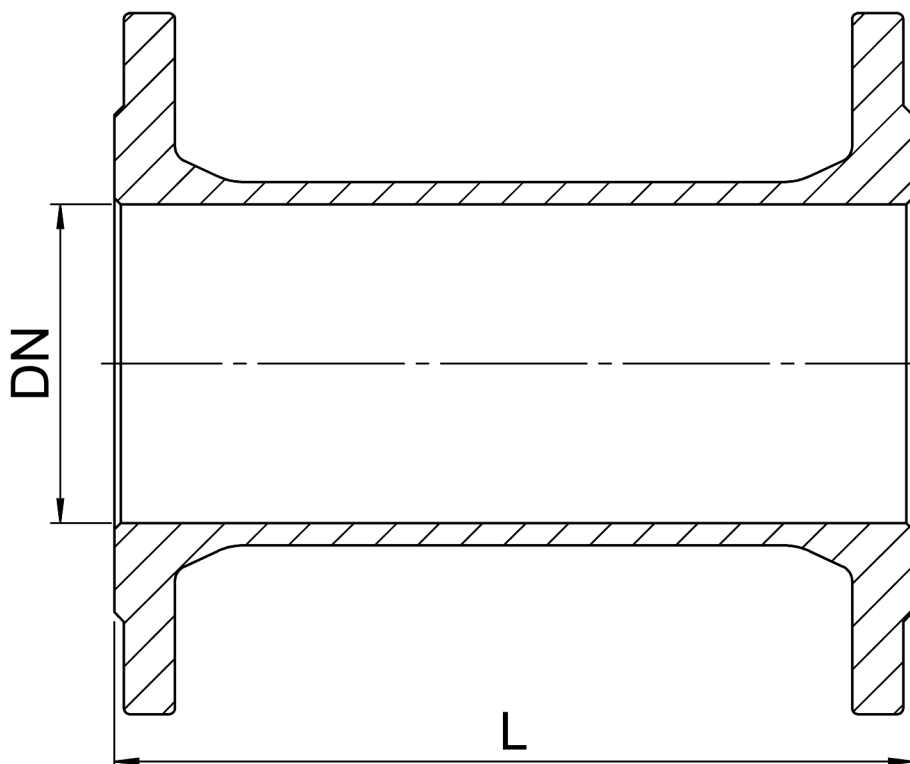


Expect ... **AVK**

AVK FLANGED PIPE

712/5310-001

1000 MM, PN 10/16

**Component list:**

1. Fitting	Ductile Iron
------------	--------------

Components may be substituted with equivalent or higher class materials without prior notification.

Reference nos. and dimensions:

AVK ref. no.	DN mm	Flange drilling	L mm	Theoretical weight/kg
712-0040-53-101	40	PN10/16	1000	10
712-0050-53-101	50	PN10/16	1000	13
712-0060-53-101	60	PN10/16	1000	14
712-0065-53-101	65	PN10/16	1000	16
712-0080-53-101	80	PN10/16	1000	19
712-0100-53-101	100	PN10/16	1000	23
712-0125-53-101	125	PN10/16	1000	29
712-0150-53-101	150	PN10/16	1000	35
712-0200-53-100	200	PN10	1000	49
712-0200-53-101	200	PN16	1000	48
712-0250-53-100	250	PN10	1000	66
712-0250-53-101	250	PN16	1000	65
712-0300-53-100	300	PN10	1000	91
712-0300-53-101	300	PN16	1000	84
712-0350-53-100	350	PN10	1000	105
712-0350-53-101	350	PN16	1000	111
712-0400-53-100	400	PN10	1000	130
712-0400-53-101	400	PN16	1000	136
712-0450-53-100	450	PN10	1000	150
712-0450-53-101	450	PN16	1000	172
712-0500-53-100	500	PN10	1000	171
712-0500-53-101	500	PN16	1000	201
712-0600-53-100	600	PN10	1000	228
712-0600-53-101	600	PN16	1000	280

The designs, materials and specifications shown are subject to change without notice due to the continuous development of our product range.