



AVK FLANGED PIPE

712/5210-001

900 MM, PN 10/16

AVK's range of fittings comprises a wide selection of variants with socket and flange connection. The fittings are made of ductile iron GJS-500-7 and are epoxy coated according to DIN 3476 and GSK specifications - internally and externally.

Product description:

Double flange pipe type FF for water, waste water and neutral liquids to max. 70° C

Design standards:

- EN 545
- Flange drilling to EN1092, PN10/16

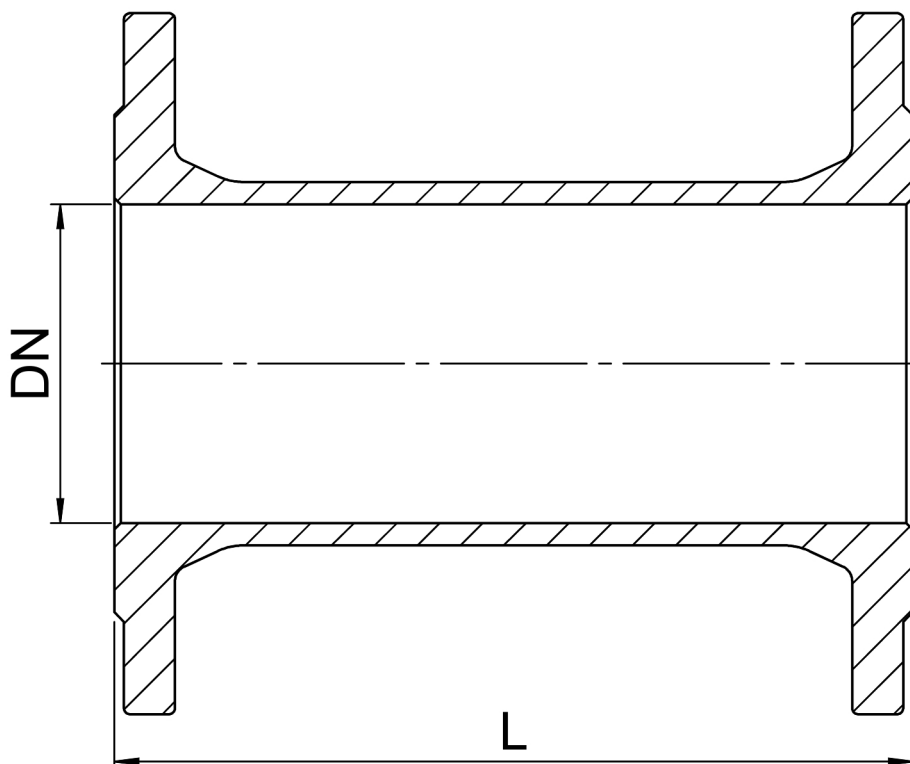
Features:

- Ductile iron fitting to EN 545
- Body of GJS-500-7
- Epoxy coated to DIN 3476 and GSK internally and externally



Expect ... **AVK**

The designs, materials and specifications shown are subject to change without notice due to the continuous development of our product range.



Component list:

1. Fitting	Ductile Iron
------------	--------------

Components may be substituted with equivalent or higher class materials without prior notification.

Reference nos. and dimensions:

AVK ref. no.	DN mm	Flange drilling	L mm	Theoretical weight/kg
712-0040-52-101	40	PN10/16	900	9.7
712-0050-52-101	50	PN10/16	900	12
712-0060-52-101	60	PN10/16	900	13
712-0065-52-101	65	PN10/16	900	15
712-0080-52-101	80	PN10/16	900	18
712-0100-52-101	100	PN10/16	900	22
712-0125-52-101	125	PN10/16	900	27
712-0150-52-101	150	PN10/16	900	32
712-0200-52-100	200	PN10	900	45
712-0200-52-101	200	PN16	900	45
712-0250-52-100	250	PN10	900	61
712-0250-52-101	250	PN16	900	60
712-0300-52-100	300	PN10	900	79
712-0300-52-101	300	PN16	900	78
712-0350-52-100	350	PN10	900	98
712-0350-52-101	350	PN16	900	104
712-0400-52-100	400	PN10	900	120
712-0400-52-101	400	PN16	900	127
712-0450-52-100	450	PN10	900	139
712-0450-52-101	450	PN16	900	161
712-0500-52-100	500	PN10	900	159
712-0500-52-101	500	PN16	900	188
712-0600-52-100	600	PN10	900	212
712-0600-52-101	600	PN16	900	263

The designs, materials and specifications shown are subject to change without notice due to the continuous development of our product range.