



AVK FLANGED PIPE

712/5110-001

800 MM, PN 10/16



AVK's range of fittings comprises a wide selection of variants with socket and flange connection. The fittings are made of ductile iron GJS-500-7 and are epoxy coated according to DIN 3476 and GSK specifications - internally and externally.



Product description:

Double flange pipe type FF for water, waste water and neutral liquids to max. 70° C

Design standards:

- EN 545
- Flange drilling to EN1092, PN10/16

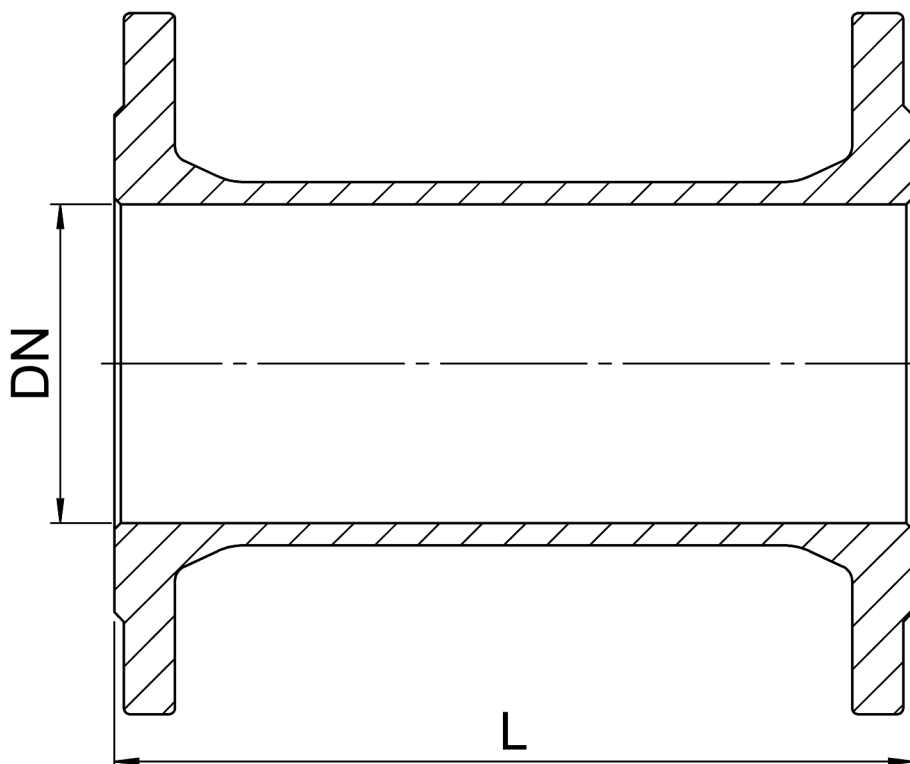
Features:

- Ductile iron fitting to EN 545
- Body of GJS-500-7
- Epoxy coated to DIN 3476 and GSK internally and externally



Expect ... **AVK**

The designs, materials and specifications shown are subject to change without notice due to the continuous development of our product range.



Component list:

1. Fitting	Ductile Iron
------------	--------------

Components may be substituted with equivalent or higher class materials without prior notification.

Reference nos. and dimensions:

AVK ref. no.	DN mm	Flange drilling	L mm	Theoretical weight/kg
712-0040-51-101	40	PN10/16	800	9.0
712-0050-51-101	50	PN10/16	800	11
712-0060-51-101	60	PN10/16	800	12
712-0065-51-101	65	PN10/16	800	14
712-0080-51-101	80	PN10/16	800	16
712-0100-51-101	100	PN10/16	800	20
712-0125-51-101	125	PN10/16	800	25
712-0150-51-101	150	PN16	800	30
712-0200-51-100	200	PN10	800	42
712-0200-51-101	200	PN16	800	41
712-0250-51-100	250	PN10	800	57
712-0250-51-101	250	PN16	800	56
712-0300-51-100	300	PN10	800	73
712-0300-51-101	300	PN16	800	72
712-0350-51-100	350	PN10	800	90
712-0350-51-101	350	PN16	800	96
712-0400-51-100	400	PN10	800	111
712-0400-51-101	400	PN16	800	118
712-0450-51-100	450	PN10	800	128
712-0450-51-101	450	PN16	800	150
712-0500-51-100	500	PN10	800	146
712-0500-51-101	500	PN16	800	176
712-0600-51-100	600	PN10	800	196
712-0600-51-101	600	PN16	800	247

The designs, materials and specifications shown are subject to change without notice due to the continuous development of our product range.