



## AVK FLANGED PIPE

712/4910-001

600 MM, PN 10/16



AVK's range of fittings comprises a wide selection of variants with socket and flange connection. The fittings are made of ductile iron GJS-500-7 and are epoxy coated according to DIN 3476 and GSK specifications - internally and externally.



### Product description:

Double flange pipe type FF for water, waste water and neutral liquids to max. 70° C

### Design standards:

- EN 545
- Flange drilling to EN1092, PN10/16

### Test/Approvals:

- Belgaqua approved material

### Features:

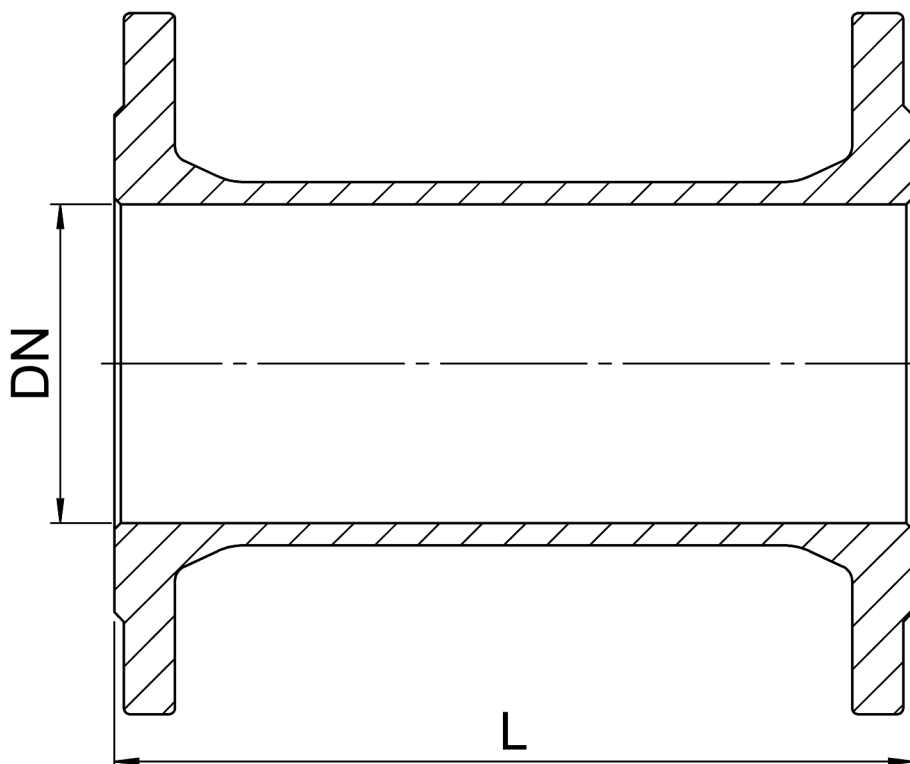
- Ductile iron fitting to EN 545
- Body of GJS-500-7
- Epoxy coated to DIN 3476 and GSK internally and externally



BELGAQUA

Expect ... **AVK**

The designs, materials and specifications shown are subject to change without notice due to the continuous development of our product range.



**Component list:**

1. Fitting	Ductile Iron
------------	--------------

Components may be substituted with equivalent or higher class materials without prior notification.

**Reference nos. and dimensions:**

AVK ref. no.	DN mm	Flange drilling	L mm	Theoretical weight/kg
712-0040-49-101	40	PN10/16	600	7.6
712-0050-49-101	50	PN10/16	600	9.2
712-0060-49-101	60	PN10/16	600	11
712-0065-49-101	65	PN10/16	600	12
712-0080-49-101	80	PN10/16	600	14
712-0100-49-101	100	PN10/16	600	17
712-0125-49-101	125	PN10/16	600	20
712-0150-49-101	150	PN10/16	600	25
712-0200-49-100	200	PN10	600	35
712-0200-49-101	200	PN16	600	34
712-0250-49-100	250	PN10	600	47
712-0250-49-101	250	PN16	600	47
712-0300-49-100	300	PN10	600	62
712-0300-49-101	300	PN16	600	61
712-0350-49-100	350	PN10	600	75
712-0350-49-101	350	PN16	600	81
712-0400-49-100	400	PN10	600	93
712-0400-49-101	400	PN16	600	99
712-0450-49-100	450	PN10	600	107
712-0450-49-101	450	PN16	600	129
712-0500-49-100	500	PN10	600	121
712-0500-49-101	500	PN16	600	151
712-0600-49-100	600	PN10	600	163
712-0600-49-101	600	PN16	600	214

The designs, materials and specifications shown are subject to change without notice due to the continuous development of our product range.