



AVK FLANGED PIPE 500 MM, PN10/16

712/4810-001

AVK's range of fittings comprises a wide selection of variants with socket and flange connection. The fittings are made of ductile iron GJS-500-7 and are epoxy coated according to DIN 3476 and GSK specifications - internally and externally.

Product description:

Double flange pipe type FF for water, waste water and neutral liquids to max. 70° C

Design standards:

- EN 545
- Flange drilling to EN1092, PN10/16

Test/Approvals:

- Belgaqua approved material

Features:

- Ductile iron fitting to EN 545
- Body of GJS-500-7
- Epoxy coated to DIN 3476 and GSK internally and externally



BELGAQUA

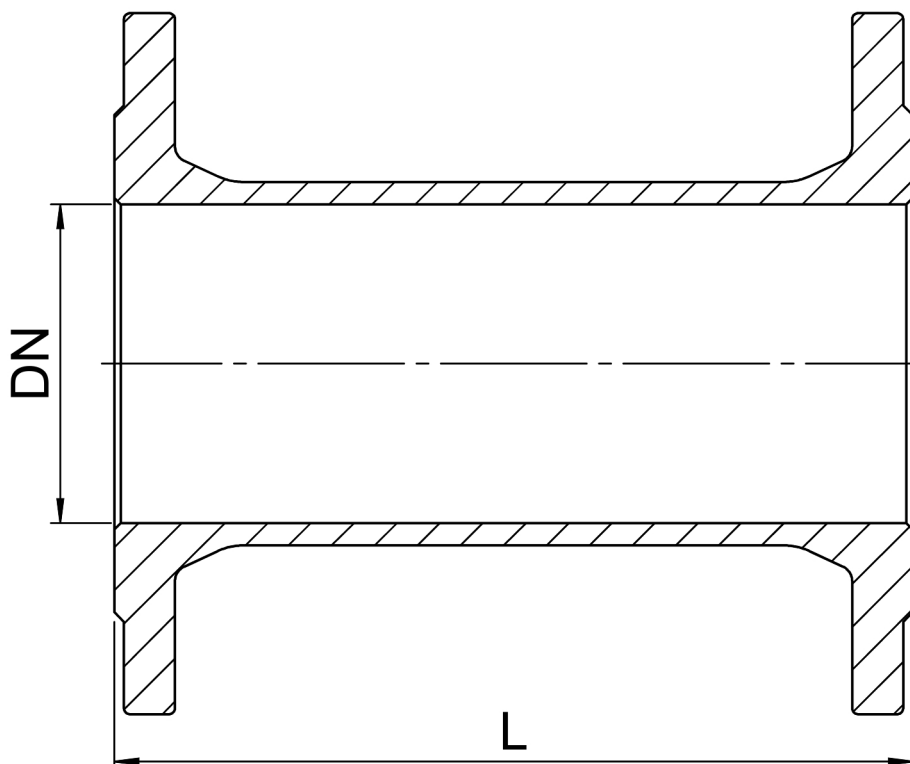
Expect ... **AVK**

The designs, materials and specifications shown are subject to change without notice due to the continuous development of our product range.

AVK FLANGED PIPE

712/4810-001

500 MM, PN10/16

**Component list:**

1. Fitting	Ductile Iron
------------	--------------

Components may be substituted with equivalent or higher class materials without prior notification.

Reference nos. and dimensions:

AVK ref. no.	DN mm	Flange drilling	L mm	Theoretical weight/kg
712-0040-48-101	40	PN10/16	500	7.0
712-0050-48-101	50	PN10/16	500	8.4
712-0060-48-101	60	PN10/16	500	9.6
712-0065-48-101	65	PN10/16	500	11
712-0080-48-101	80	PN10/16	500	12
712-0100-48-101	100	PN10/16	500	15
712-0125-48-101	125	PN10/16	500	18
712-0150-48-101	150	PN10/16	500	22
712-0200-48-100	200	PN10	500	31
712-0200-48-101	200	PN16	500	31
712-0250-48-100	250	PN10	500	43
712-0250-48-101	250	PN16	500	42
712-0300-48-100	300	PN10	500	56
712-0300-48-101	300	PN16	500	55
712-0350-48-100	350	PN10	500	67
712-0350-48-101	350	PN16	500	73
712-0400-48-100	400	PN10	500	84
712-0400-48-101	400	PN16	500	90
712-0450-48-100	450	PN10	500	96
712-0450-48-101	450	PN16	500	118
712-0500-48-100	500	PN10	500	109
712-0500-48-101	500	PN16	500	138
712-0600-48-100	600	PN10	500	146
712-0600-48-101	600	PN16	500	198

The designs, materials and specifications shown are subject to change without notice due to the continuous development of our product range.