



## AVK FLANGED PIPE

400 MM, PN 10/16

712/4610-001



AVK's range of fittings comprises a wide selection of variants with socket and flange connection. The fittings are made of ductile iron GJS-500-7 and are epoxy coated according to DIN 3476 and GSK specifications - internally and externally.



### Product description:

Double flange pipe type FF for water, waste water and neutral liquids to max. 70° C

### Design standards:

- EN 545
- Flange drilling to EN1092, PN10/16

### Test/Approvals:

- Belgaqua approved material

### Features:

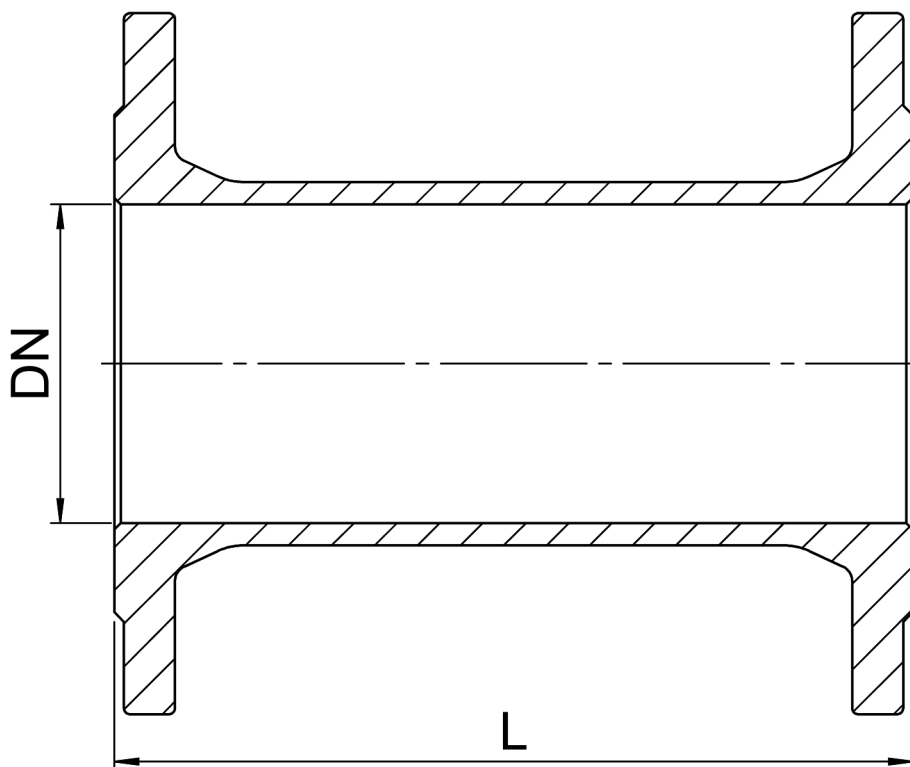
- Ductile iron fitting to EN 545
- Body of GJS-500-7
- Epoxy coated to DIN 3476 and GSK internally and externally



BELGAQUA

Expect ... **AVK**

The designs, materials and specifications shown are subject to change without notice due to the continuous development of our product range.



**Component list:**

1. Fitting	Ductile Iron
------------	--------------

Components may be substituted with equivalent or higher class materials without prior notification.

**Reference nos. and dimensions:**

AVK ref. no.	DN mm	Flange drilling	L mm	Theoretical weight/kg
712-0040-46-101	40	PN10/16	400	6.3
712-0050-46-101	50	PN10/16	400	7.6
712-0060-46-101	60	PN10/16	400	8.6
712-0065-46-101	65	PN10/16	400	9.5
712-0080-46-101	80	PN10/16	400	11
712-0100-46-101	100	PN10/16	400	13
712-0125-46-101	125	PN10/16	400	16
712-0150-46-101	150	PN10/16	400	20
712-0200-46-100	200	PN10	400	28
712-0200-46-101	200	PN16	400	27
712-0250-46-100	250	PN10	400	38
712-0250-46-101	250	PN16	400	37
712-0300-46-100	300	PN10	400	50
712-0300-46-101	300	PN16	400	49
712-0350-46-100	350	PN10	400	60
712-0350-46-101	350	PN16	400	66
712-0400-46-100	400	PN10	400	75
712-0400-46-101	400	PN16	400	81
712-0450-46-100	450	PN10	400	85
712-0450-46-101	450	PN16	400	107
712-0500-46-100	500	PN10	400	96
712-0500-46-101	500	PN16	400	126
712-0600-46-100	600	PN10	400	130
712-0600-46-101	600	PN16	400	181

The designs, materials and specifications shown are subject to change without notice due to the continuous development of our product range.