



## AVK FLANGED PIPE

300 MM, PN 10/16

712/4410-001



AVK's range of fittings comprises a wide selection of variants with socket and flange connection. The fittings are made of ductile iron GJS-500-7 and are epoxy coated according to DIN 3476 and GSK specifications - internally and externally.



### Product description:

Double flange pipe type FF for water, waste water and neutral liquids to max. 70° C

### Design standards:

- EN 545
- Flange drilling to EN1092, PN10/16

### Test/Approvals:

- Belgaqua approved material

### Features:

- Ductile iron fitting to EN 545
- Body of GJS-500-7
- Epoxy coated to DIN 3476 and GSK internally and externally



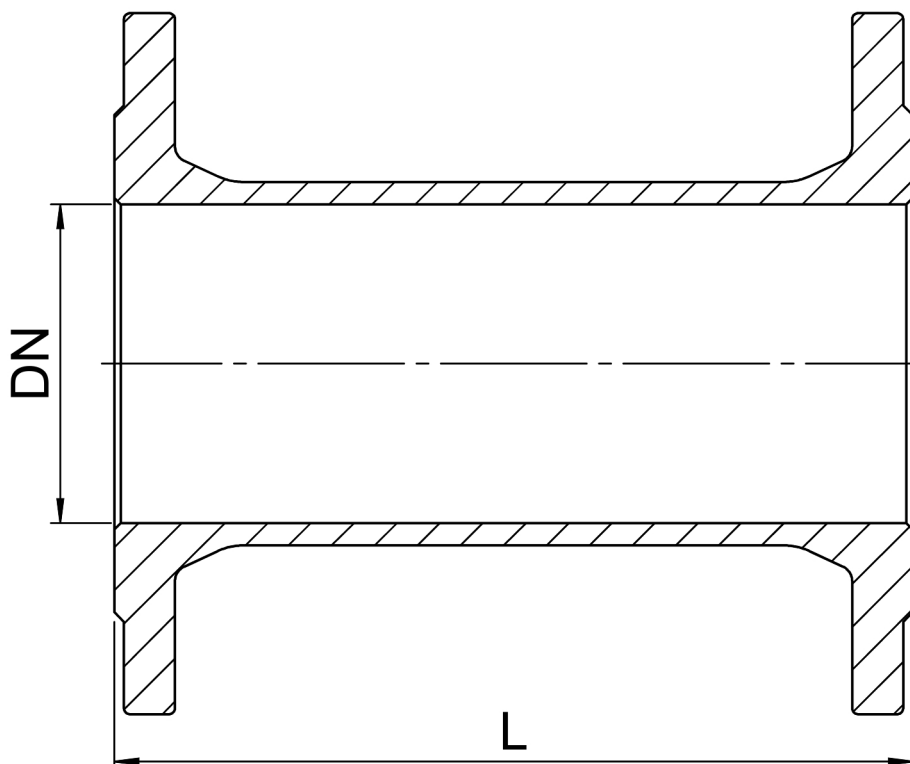
Expect ... **AVK**

The designs, materials and specifications shown are subject to change without notice due to the continuous development of our product range.

**AVK FLANGED PIPE**

712/4410-001

300 MM, PN 10/16

**Component list:**

1. Fitting	Ductile Iron
------------	--------------

Components may be substituted with equivalent or higher class materials without prior notification.

**Reference nos. and dimensions:**

AVK ref. no.	DN mm	Flange drilling	L mm	Theoretical weight/kg
712-0040-44-101	40	PN10/16	300	5.6
712-0050-44-101	50	PN10/16	300	6.8
712-0060-44-101	60	PN10/16	300	7.6
712-0065-44-101	65	PN10/16	300	8.4
712-0080-44-101	80	PN10/16	300	9.7
712-0100-44-101	100	PN10/16	300	12
712-0125-44-101	125	PN10/16	300	14
712-0150-44-101	150	PN10/16	300	17
712-0200-44-100	200	PN10	300	24
712-0200-44-101	200	PN16	300	24
712-0250-44-100	250	PN10	300	34
712-0250-44-101	250	PN16	300	33
712-0300-44-100	300	PN10	300	44
712-0300-44-101	300	PN16	300	43
712-0350-44-100	350	PN10	300	52
712-0350-44-101	350	PN16	300	58
712-0400-44-100	400	PN10	300	66
712-0400-44-101	400	PN16	300	72
712-0450-44-100	450	PN10	300	74
712-0450-44-101	450	PN16	300	97
712-0500-44-100	500	PN10	300	84
712-0500-44-101	500	PN16	300	113
712-0600-44-100	600	PN10	300	114
712-0600-44-101	600	PN16	300	165

The designs, materials and specifications shown are subject to change without notice due to the continuous development of our product range.