



## AVK FLANGED PIPE

712/4310-001

250 MM, PN 10/16



AVK's range of fittings comprises a wide selection of variants with socket and flange connection. The fittings are made of ductile iron GJS-500-7 and are epoxy coated according to DIN 3476 and GSK specifications - internally and externally.



### Product description:

Double flange pipe type FF for water, waste water and neutral liquids to max. 70° C

### Design standards:

- EN 545
- Flange drilling to EN1092, PN10/16

### Test/Approvals:

- Belgaqua approved material

### Features:

- Ductile iron fitting to EN 545
- Body of GJS-500-7
- Epoxy coated to DIN 3476 and GSK internally and externally



BELGAQUA

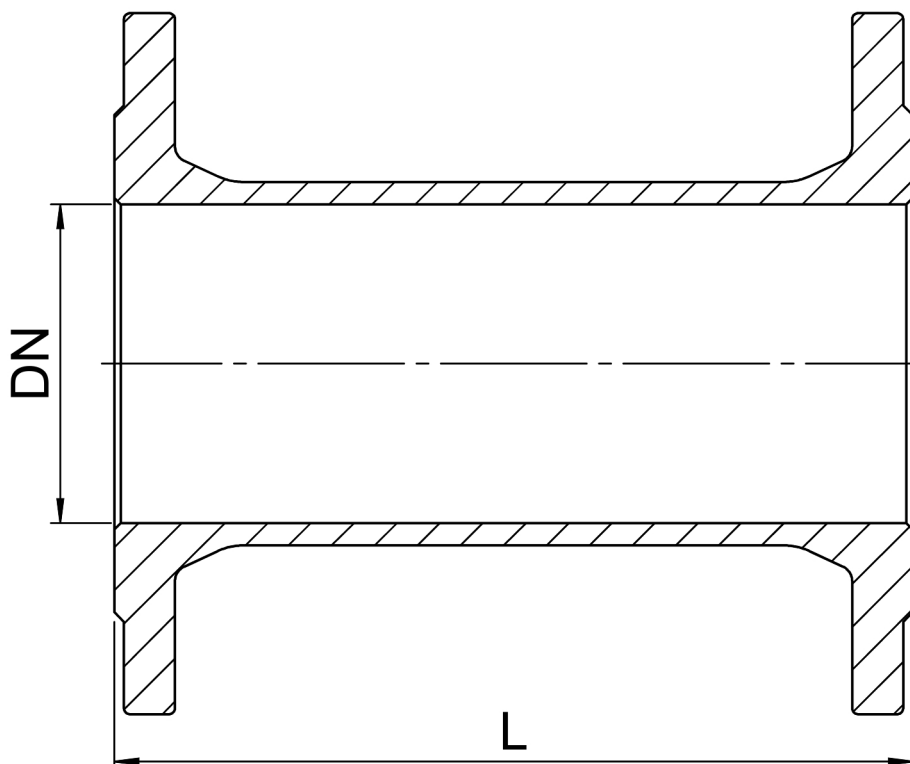
Expect... **AVK**

The designs, materials and specifications shown are subject to change without notice due to the continuous development of our product range.

**AVK FLANGED PIPE**

712/4310-001

250 MM, PN 10/16

**Component list:**

1. Fitting	Ductile Iron
------------	--------------

Components may be substituted with equivalent or higher class materials without prior notification.

**Reference nos. and dimensions:**

AVK ref. no.	DN mm	Flange drilling	L mm	Theoretical weight/kg
712-0040-43-101	40	PN10/16	250	5.3
712-0050-43-101	50	PN10/16	250	6.4
712-0050-45-101	50	PN10/16	350	7.2
712-0060-43-101	60	PN10/16	250	7.2
712-0065-43-101	65	PN10/16	250	7.9
712-0080-43-101	80	PN10/16	250	9.0
712-0100-43-101	100	PN10/16	250	13
712-0125-43-101	125	PN10/16	250	13
712-0150-43-101	150	PN10/16	250	16
712-0200-43-100	200	PN10	250	24
712-0200-43-101	200	PN16	250	24
712-0250-43-100	250	PN10	250	31
712-0250-43-101	250	PN16	250	31
712-0300-43-100	300	PN10	250	41
712-0300-43-101	300	PN16	250	40
712-0350-43-100	350	PN10	250	48
712-0350-43-101	350	PN16	250	54
712-0400-43-100	400	PN10	250	61
712-0400-43-101	400	PN16	250	67
712-0450-43-100	450	PN10	250	69
712-0450-43-101	450	PN16	250	91
712-0500-43-100	500	PN10	250	77
712-0500-43-101	500	PN16	250	107
712-0600-43-100	600	PN10	250	106
712-0600-43-101	600	PN16	250	157

The designs, materials and specifications shown are subject to change without notice due to the continuous development of our product range.

**AVK FLANGED PIPE****712/4310-001****250 MM, PN 10/16****Reference nos. and dimensions:**

AVK ref. no.	DN mm	Flange drilling	L mm	Theoretical weight/kg
--------------	----------	--------------------	---------	--------------------------