



AVK FLANGED PIPE

712/4110-001

150 MM, PN 10/16



AVK's range of fittings comprises a wide selection of variants with socket and flange connection. The fittings are made of ductile iron GJS-500-7 and are epoxy coated according to DIN 3476 and GSK specifications - internally and externally.



Product description:

Double flange pipe type FF for water, waste water and neutral liquids to max. 70° C

Design standards:

- EN 545
- Flange drilling to EN1092, PN10/16

Test/Approvals:

- Belgaqua approved material

Features:

- Ductile iron fitting to EN 545.
- Body of GJS-500-7
- Epoxy coated to DIN 3476 and GSK internally and externally.



BELGAQUA

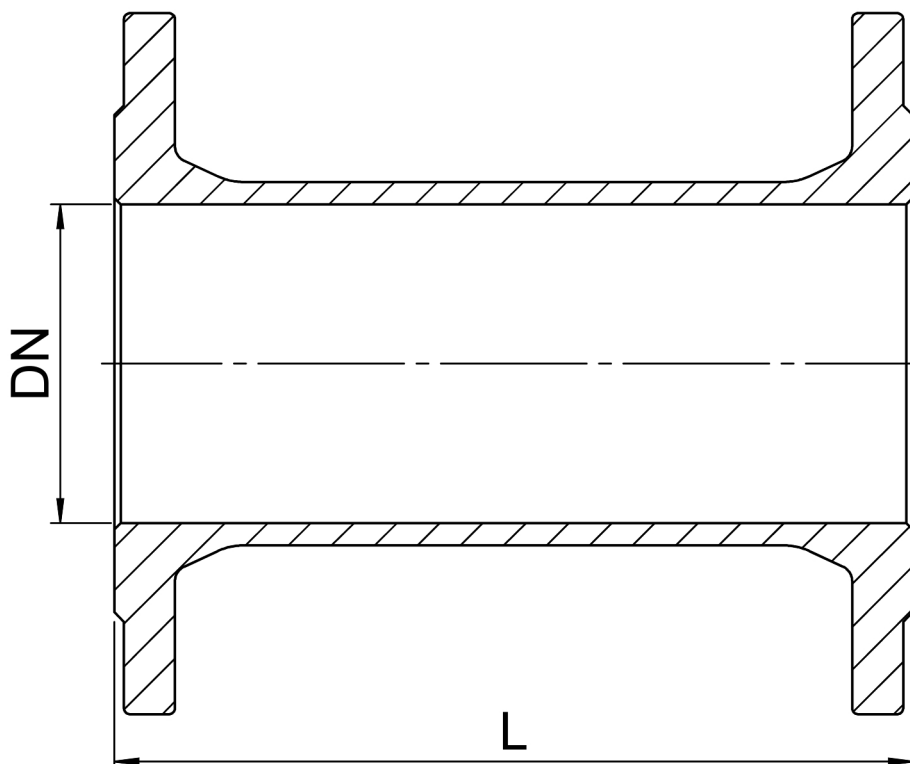
Expect ... **AVK**

The designs, materials and specifications shown are subject to change without notice due to the continuous development of our product range.

AVK FLANGED PIPE

712/4110-001

150 MM, PN 10/16

**Component list:**

1. Fitting	Ductile Iron
------------	--------------

Components may be substituted with equivalent or higher class materials without prior notification.

Reference nos. and dimensions:

AVK ref. no.	DN mm	Flange drilling	L mm	Theoretical weight/kg
712-0040-41-101	40	PN10/16	150	4.6
712-0050-41-101	50	PN10/16	150	5.5
712-0060-41-101	60	PN10/16	150	6.2
712-0065-41-101	65	PN10/16	150	6.9
712-0080-41-101	80	PN10/16	150	7.7
712-0100-41-101	100	PN10/16	150	9.1
712-0125-41-101	125	PN10/16	150	11
712-0150-41-101	150	PN10/16	150	14
712-0200-41-100	200	PN10	150	19
712-0200-41-101	200	PN16	150	19
712-0250-41-100	250	PN10	150	27
712-0250-41-101	250	PN16	150	26
712-0300-41-100	300	PN10	150	35
712-0300-41-101	300	PN16	150	35
712-0350-41-100	350	PN10	150	41
712-0350-41-101	350	PN16	150	47
712-0400-41-100	400	PN10	150	47
712-0400-41-101	400	PN16	150	58
712-0450-41-100	450	PN10	150	57
712-0450-41-101	450	PN16	150	78
712-0500-41-100	500	PN10	150	63
712-0500-41-101	500	PN16	150	91
712-0600-41-100	600	PN10	150	89
712-0600-41-101	600	PN16	150	140

The designs, materials and specifications shown are subject to change without notice due to the continuous development of our product range.