



AVK FLANGED PIPE

712/4010-001

100 MM, PN 10/16



AVK's range of fittings comprises a wide selection of variants with socket and flange connection. The fittings are made of ductile iron GJS-500-7 and are epoxy coated according to DIN 3476 and GSK specifications - internally and externally.



Product description:

Double flange pipe type FF to EN 545 for water, waste water and neutral liquids to max. 70° C

Design standards:

- EN 545
- Flange drilling to EN1092, PN10/16

Test/Approvals:

- Belgaqua approved material

Features:

- Ductile iron fitting to EN 545
- Body of GJS-500-7
- Epoxy coated to DIN 3476 and GSK internally and externally



BELGAQUA

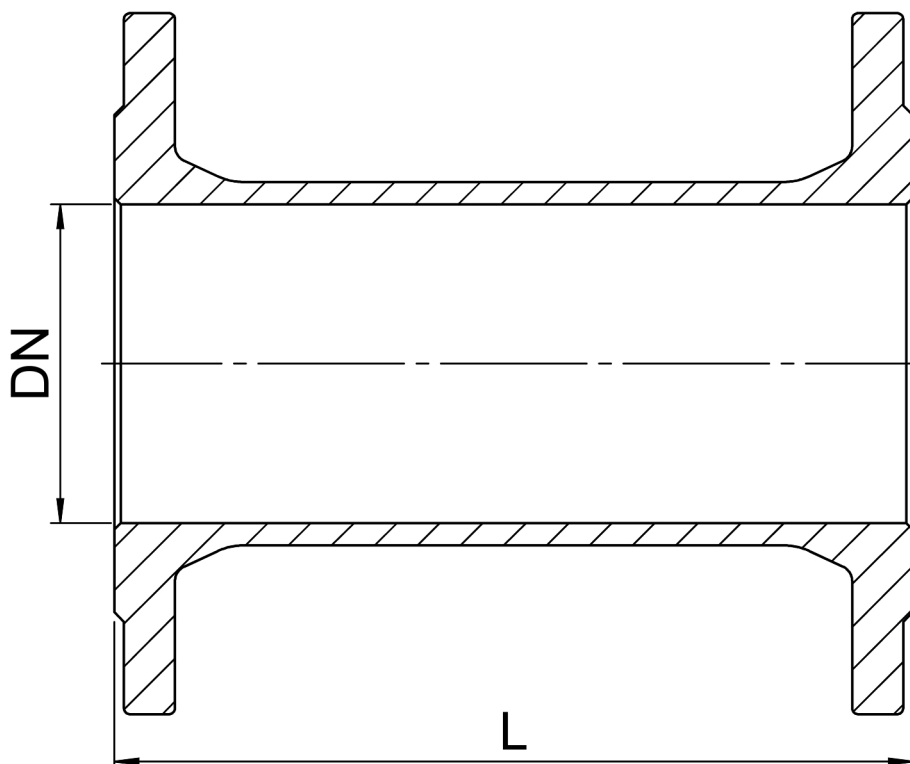
Expect... **AVK**

The designs, materials and specifications shown are subject to change without notice due to the continuous development of our product range.

AVK FLANGED PIPE

712/4010-001

100 MM, PN 10/16

**Component list:**

| | |
|------------|--------------|
| 1. Fitting | Ductile Iron |
|------------|--------------|

Components may be substituted with equivalent or higher class materials without prior notification.

Reference nos. and dimensions:

| AVK ref. no. | DN mm | Flange drilling | L mm | Theoretical weight/kg |
|-----------------|----------|--------------------|---------|--------------------------|
| 712-0040-40-101 | 40 | PN10/16 | 100 | 4.3 |
| 712-0050-40-101 | 50 | PN10/16 | 100 | 5.1 |
| 712-0060-40-101 | 60 | PN10/16 | 100 | 5.7 |
| 712-0065-40-101 | 65 | PN10/16 | 100 | 6.3 |
| 712-0080-40-101 | 80 | PN10/16 | 100 | 7.0 |
| 712-0100-40-101 | 100 | PN10/16 | 100 | 8.2 |
| 712-0125-40-101 | 125 | PN10/16 | 100 | 10 |
| 712-0150-40-101 | 150 | PN10/16 | 100 | 12 |
| 712-0200-40-100 | 200 | PN10 | 100 | 18 |
| 712-0200-40-101 | 200 | PN16 | 100 | 17 |
| 712-0250-40-100 | 250 | PN10 | 100 | 24 |
| 712-0250-40-101 | 250 | PN16 | 100 | 24 |
| 712-0300-40-100 | 300 | PN10 | 100 | 33 |
| 712-0300-40-101 | 300 | PN16 | 100 | 33 |
| 712-0350-40-100 | 350 | PN10 | 100 | 36 |
| 712-0350-40-101 | 350 | PN16 | 100 | 42 |
| 712-0400-40-100 | 400 | PN10 | 100 | 42 |
| 712-0400-40-101 | 400 | PN16 | 100 | 50 |
| 712-0450-40-100 | 450 | PN10 | 100 | 49 |
| 712-0450-40-101 | 450 | PN16 | 100 | 66 |
| 712-0500-40-100 | 500 | PN10 | 100 | 57 |
| 712-0500-40-101 | 500 | PN16 | 100 | 85 |
| 712-0600-40-100 | 600 | PN10 | 100 | 77 |
| 712-0600-40-101 | 600 | PN16 | 100 | 125 |

The designs, materials and specifications shown are subject to change without notice due to the continuous development of our product range.