



AVK FLANGED
BEND 45°, PN 10/16

712/0410-001



AVK's range of fittings comprises a wide selection of variants with socket and flange connection. The fittings are made of ductile iron GJS-500-7 and are epoxy coated according to DIN 3476 and GSK specifications - internally and externally.



Product description:

Double flanged bend 45° type FFK to EN 545 for water, waste water and neutral liquids to max. 70° C

Design standards:

- EN 545
- Flange drilling to EN1092, PN10/16

Test/Approvals:

- Belgaqua approved material

Features:

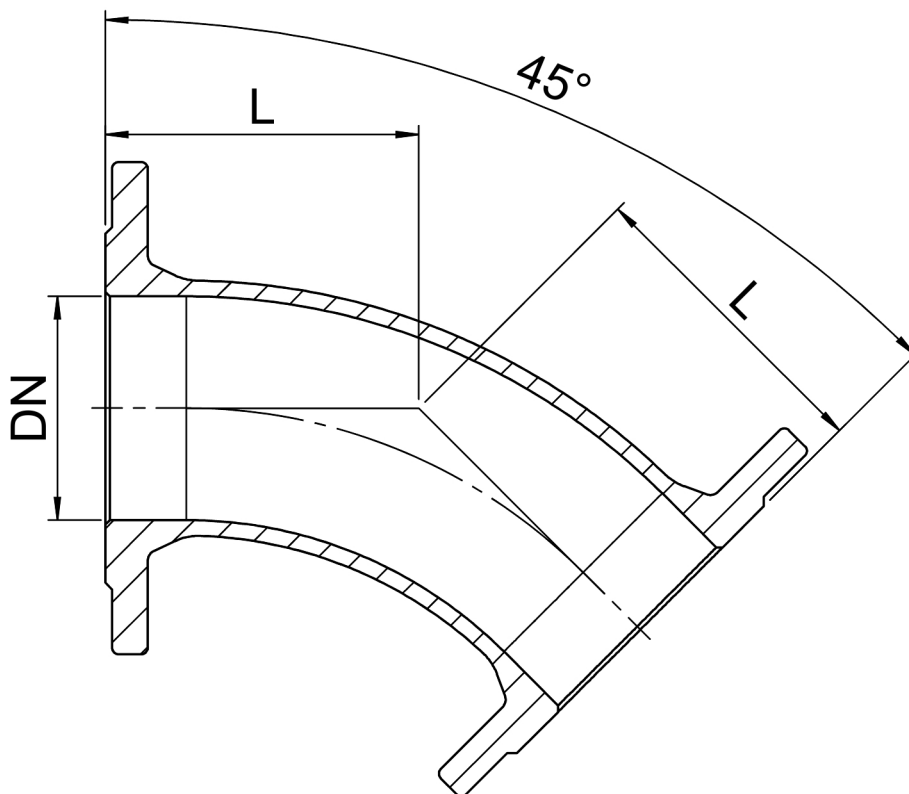
- Ductile iron fitting to EN 545
- Body of GJS-500-7
- Epoxy coated to DIN 3476 and GSK internally and externally



BELGAQUA

Expect... **AVK**

The designs, materials and specifications shown are subject to change without notice due to the continuous development of our product range.



Component list:

1. Fitting	Ductile Iron
------------	--------------

Components may be substituted with equivalent or higher class materials without prior notification.

Reference nos. and dimensions:

AVK ref. no.	DN mm	Flange drilling	L mm	Theoretical weight/kg
712-0040-04-101	40	PN10/16	140	6.4
712-0050-04-101	50	PN10/16	150	8.1
712-0065-04-101	65	PN10/16	165	8.6
712-0080-04-101	80	PN10/16	130	9.0
712-0100-04-101	100	PN10/16	140	11
712-0125-04-101	125	PN10/16	150	14
712-0150-04-101	150	PN10/16	160	18
712-0200-04-100	200	PN10	180	26
712-0200-04-101	200	PN16	180	26
712-0250-04-100	250	PN10	350	51
712-0250-04-101	250	PN16	350	50
712-0300-04-100	300	PN10	400	71
712-0300-04-101	300	PN16	400	71
712-0350-04-100	350	PN10	298	80
712-0350-04-101	350	PN16	298	86
712-0400-04-100	400	PN10	324	90
712-0400-04-101	400	PN16	324	101
712-0450-04-101	450	PN16	350	136
712-0500-04-100	500	PN10	375	178
712-0500-04-101	500	PN16	375	207
712-0600-04-100	600	PN10	426	198
712-0600-04-101	600	PN16	426	249

The designs, materials and specifications shown are subject to change without notice due to the continuous development of our product range.