

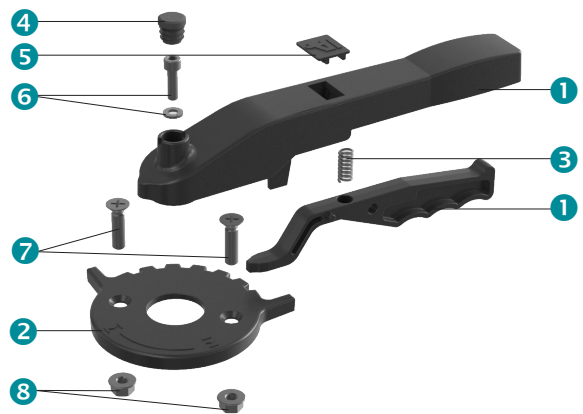
Description

Aluminium handlever polyester coated



Construction

1	Handlever	Alumimum L-2521 EN AC-47100 coated with polyester RAL 9005
2	Notch plate	Alumimum L-2521 EN AC-47100 coated with polyester RAL 9005
3	Spring	Stainless steel AISI-302
4	Plug	Low Density Polyethylene
5	Name plate	Acrylonitrile butadiene styrene (ABS)
6	Screw and washer	Stainless steel A2-70
7	Screws	Stainless steel A2-70
8	Nuts	Stainless steel A2-70



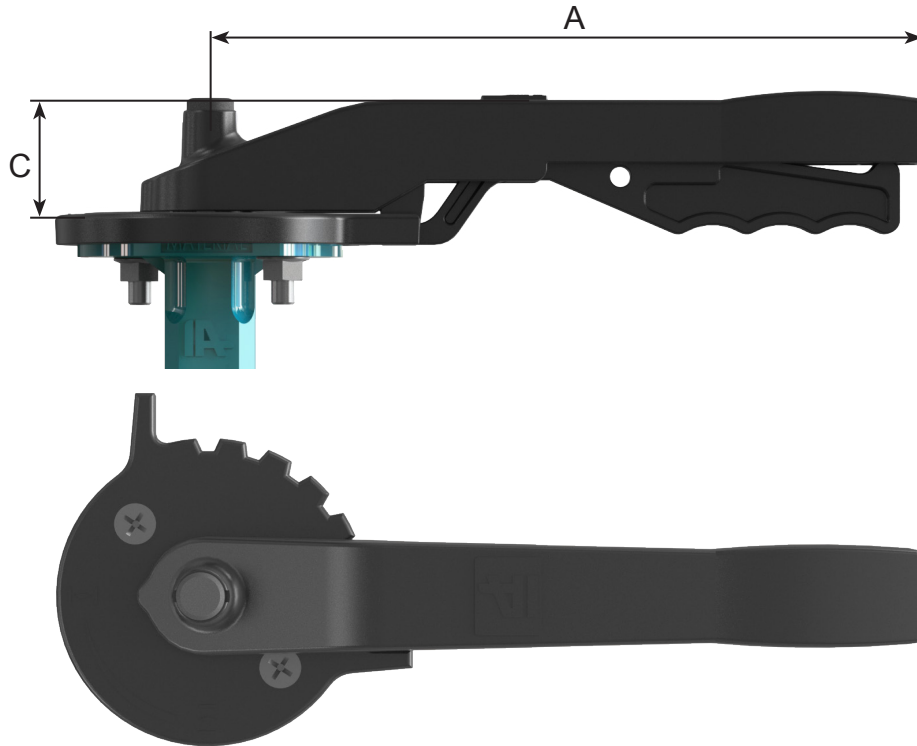
Type code

HLA . F07 08 . 180-V2

① ② ③ ④

① Actuator type	HLA	Aluminium handlever
② Mounting face for valve	F05 - F07	according to EN ISO5211
③ Shaft square	[mm]	Dimension of shaft connection
④ Handlever length	[mm]	

Dimensions



Handlever type	A [mm]	C [mm]	[kg]
HLA.F0508.180-V2	180	41	0.4
HLA.F0511.180-V2	180	41	0.4
HLA.F0708.180-V2	180	41	0.4
HLA.F0711.180-V2	180	41	0.4
HLA.F0511.240-V2	243	43	0.5
HLA.F0711.240-V2	243	43	0.5
HLA.F0714.340-V2	340	51	0.6
HLA.F0717.340-V2	340	51	0.6